

**Operating Instructions and
Spare Parts Book**

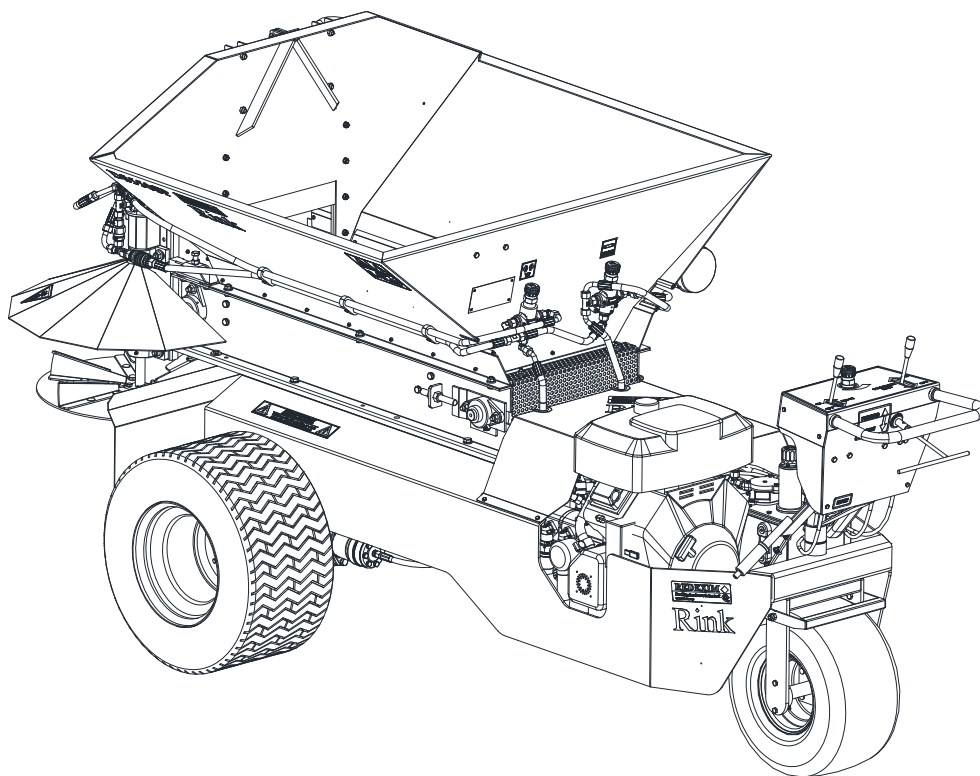


Rink DS550SP

Kwekerijweg 8
3709JA Zeist
The Netherlands
T: (31)306933227
F: (31)306933228
E: verti-drain@redexim.com
www.redexim.com

Serial Number

Translation of the original operating instructions



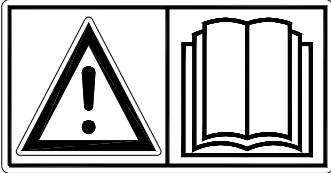
Attention:
TO ENSURE A SAFE USE OF THE MACHINE AND THE BEST RESULTS, IT IS OF UTMOST
IMPORTANCE TO CAREFULLY READ THIS OPERATING MANUAL BEFORE USING THE RINK
DS550SP.



SAFETY REGULATIONS



- The **RINK DS550SP Disc Spreader** is built exclusively for spreading small-grained materials, such as sand, gravel, granules and so on.

 <p>Figure S1</p>	<p>The RINK DS550SP is purposely designed for safe operation. However, the prerequisite for this is full compliance with all the safety regulations contained in this operating manual.</p> <p>Read and understand (Fig. S1) the operating instructions before you start using the RINK DS550SP. Any use of the machine other than what is described in this operating manual can result in injury and/or damage to the RINK DS550SP.</p>
--	--

- Any other type of use is not considered suitable. The manufacturer is not liable for any resulting damage; the risk lies entirely with the user.
- The intended use also includes adherence with the manufacturer book's operating, maintenance and repair requirements.
- The **RINK DS550SP Disc Spreader** is reliable in operation and is built according to the latest technology; unless it is well maintained and used by individuals who are familiar with it and are informed of possible dangers, the **RINK DS550SP Disc Spreader** may constitute a hazard to the lives of the user and other persons.
- Every person who is responsible for the operation, maintenance and repair of the spreader, must have read the operating instructions and especially understood the chapter about **safety regulations**.
- For any repairs, only **original spare parts produced by the manufacturer** must be used.
- Beside the advice in this operating manual, the general **safety and accident prevention regulations** must be observed.
- The **RINK DS550SP Disc Spreader** may **not be used on public roads**.
- It is not acceptable to use it as a means of transportation for people!
- **Access to the loading bridge is prohibited while the scattering device is running.** On both sides of the **RINK DS550SP Disc Spreader** a corresponding message is affixed. This notice must be always legible and must be replaced if damaged.

- Before using the **RINK DS550SP Disc Spreader**, the user is **obliged to check for any visible damage and defects**. Changes in the **RINK DS550SP Disc Spreader** (including its operation) that can have a negative impact on safety must be corrected immediately. For safety reasons it is prohibited to make changes or additions to the **RINK DS550SP Disc Spreader** (except changes/additions approved by the manufacturer). If modifications are done to the **RINK DS550SP Disc Spreader**, CE-Marking currently applicable to the machine becomes invalid and must be replaced, independently of the person who carried out these changes.
- Before starting, check surrounding and ensure adequate visibility.
- Pay attention to appropriate clothing. Wear safety shoes and long trousers. Long hair must be tied. Do not wear loose clothing. Use appropriate personal protective equipment in accordance with the existing workplace safety and general safety regulations.
- A noise of about 74 dB (a) at the **RINK DS550SP Disc Spreader** accrued in the immediate vicinity to the spreading discs.
- When working with the machine, wear certified hearing protection equipment (Fig. S2).



Figure S2

- On both sides of the RINK DS550SP container and the engine there are safety labels (Fig. S2, S3, S4) with appropriate warning signs. These safety signs must always be clearly visible, legible and in case of damage, must be replaced immediately.

- When carrying out maintenance, adjustments and repair work **always switch off the engine and remove the key from the ignition.** (Fig. S3)



Figure S3

- During operation, **NO persons without the appropriate personal protective equipment may stay in the danger area** of the RINK DS5550SP, as there is risk of injury by projected material (Fig. S4)



Figure S4

Figure S5



- **Keep at least a 4-metre distance!** (Fig. S5)
- Adjustment and repair work may only be performed by authorized personnel. Before doing any repair work on the hydraulic system release the pressure completely. Check Hydraulic connectors regularly and replace if damaged or worn and torn. The hydraulic connector must meet the technical requirements of the manufacturer.



Oil endangers the environment; please make sure of environmentally safe disposal

TABLE OF CONTENTS

Operating Instructions and.....	1
Spare Parts Book.....	1
SAFETY REGULATIONS	2
1.0 BRIEF DESCRIPTION	6
2.0 SPECIFICATIONS	6
3.0 GETTING STARTED.....	7
Start the engine.....	7
4.0 OPERATING	7
Before every trip.....	7
Loading	7
5.0 Driving	8
Controls.....	8
Control system.....	9
6.0 SPREADING	10
Controls.....	10
Adjust spread thickness.....	11
Spreading Chart.....	11
Spreading different scatter materials.....	12
Disc setting with the irregular spread pattern	12
7.0 CARE and MAINTENANCE.....	13
Bearings with multi-purpose grease (every 50 hours)	13
Change the oil on conveyor belt transmission (every 100 hours)	14
Adjust the pressure and throttle valve	14
Conveyor belt tightening (if there is slippage)	15
Install the conveyor belt	16
Conveyor belt tightening after installation.....	16
Oil tank.....	17
8.0 TROUBLESHOOTING	18
9.0 SPECIAL FEATURES.....	19

Subject to technical changes.

The equipment marked with # is only available as special equipment.

1.0 BRIEF DESCRIPTION

The **RINK DS550SP Disc Spreader** is used for spreading small-grained materials, such as sand, gravel and so on. The disc spreader of the conveyor belt is driven by a gear with a hydraulic motor. The two disc spreaders are each driven by one hydraulic motor. The speed sensor of the hydraulic motors for the conveyor belt and the disc spreaders are connected through an adjustable flow regulator. The spreading material can therefore be accurately regulated. Spreading width and rate can be determined by vehicle speed, spreading disc and belt conveyor speed.

2.0 SPECIFICATIONS

RINK DS500PB Disc Spreader Dimensions

Length	3,000 mm
Width	1,400 mm
Height.....	1,700 mm

Maximum charge quantity 0.55 m³

Weight

Permitted total weight	1,000 kg
Net weight	590 kg

Spread width (adjustable) up to 12 m

Hydraulic connector values

Minimum oil flow	25 l/min
Minimum oil pressure.....	140 bar

Tyre pressure..... 0.8 bar

Noise emissions * (A-weighted measurement in accordance ISO 4781 and EN 13684: 2004 + A3: 2010)	A-weighted emission sound pressure level L_{pAd} measured in working position re. 20 μ Pa: 86 dB Uncertainty K_{pA} : 2 dB
	A-weighted sound power level measured in working position L_{WA} re. 1pW: 100 dB Uncertainty K_{WA} : 2 dB
Emission of hand-arm vibration * (Measurement according to EN 12069 and EN 13684: 2004 + A3: 2010)	Hand-arm-Vibration a_{hv} : 2.1 m/s ² Uncertainty K: 0.2 m/s ²

*Remark: emission values for both sound and vibrations are determined under reference conditions as described in EN 13684. In practice the emission (or better: the partial exposure) maybe different due to specific conditions and circumstances. Emission data are primarily intended for comparison between different machines and may be used as an indication for partial exposure, but with limited validity.

3.0 GETTING STARTED

- Tighten the wheel nuts.
- Check the tyre pressure.



Check these points again after the first laden journey!

Start the engine

- Fill the fuel tank with unleaded gasoline.
- Move the throttle control to FAST position.
- Press the engine button ON and move the choke control to the left.
- Start the engine, repeat if necessary and slightly close choke.
- As soon as engine starts, move the choke control back, and with the throttle control set the desired speed.



Before starting the motor, it is absolutely necessary that any user must have read and understood the included operating instructions of the engine manufacturer.

4.0 OPERATING

Before every trip

- Check the **RINK DS550SP Disc Spreader** for visible damage, and repair any damage.
- Check tyre pressure.
- Check run marks of the conveyor belt, since the conveyor belt must not rub at the side adjust if necessary (see page 15).

Loading

- Note desired maximum ground pressure.
- When loading note permitted total weight.

5.0 Driving

Controls

- (1) Gear lever forward - backward
- (2) Conveyor belt controller
- (3) Disc spreader control
- (4) Flow regulator (speed)
- (5) Brake lever (parking brake)

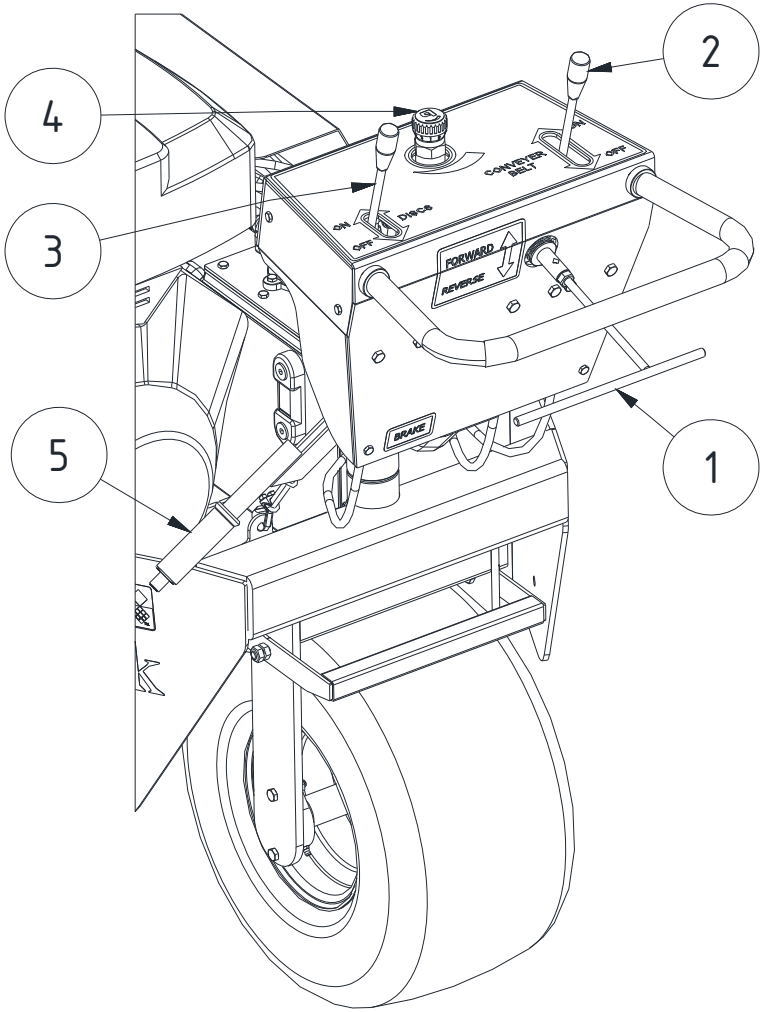


Fig. 1: Controls

Control system

The **RINK DS550SP Disc Spreader** is controlled as follows.

- Start the motor (see page 7)
- By pulling the Disc Spreader controller (3), the oil circuit will be activated and the Disc Spreader will begin to spin. To move around the **RINK DS550SP Disc Spreader** and to turn on the belt, this controller must be pressed.
- With the help of the brake lever (5), the **RINK DS550SP Disc Spreader** can be prevented from rolling away.
- The controller (1) allows you to determine the direction of the **RINK DS550SP Disc Spreader**. For driving forward, it has to be pulled up. When in the centre position, the engine is idling. For reverse, completely push down the controller (1).
- In order to increase or reduce the running speed, the Flow regulator (4) must be rotated in the clockwise or anticlockwise direction.
- If the conveyor belt controller (2) is pulled up to the front final position, the valve will open (see page 11) and the conveyor belt is turned on. If switched back to the starting position, the conveyor belt will stop. Pressing the conveyor belt controller (2) in the front final position, the valve is closed.

6.0 SPREADING

When operating the Disc Spreader controller (3), the disc spreader is automatically activated. The conveyor belt and the valve (3) are activated by operating the conveyor controller (2), first the valve (3) is activated and then with a small delay, the conveyor belt is activated. Before starting work, select valve position A-D. (See page 8 - Fig. 1 and page 11 - Fig. 3)

Controls

- (1) Controller to adjust the speed of the conveyor belt
- (2) Controller to adjust the speed of the disc spreader
- (3) Valve (see page 11 - Fig. 3)
- (4) Deflector (see page 12 - Fig. 4)

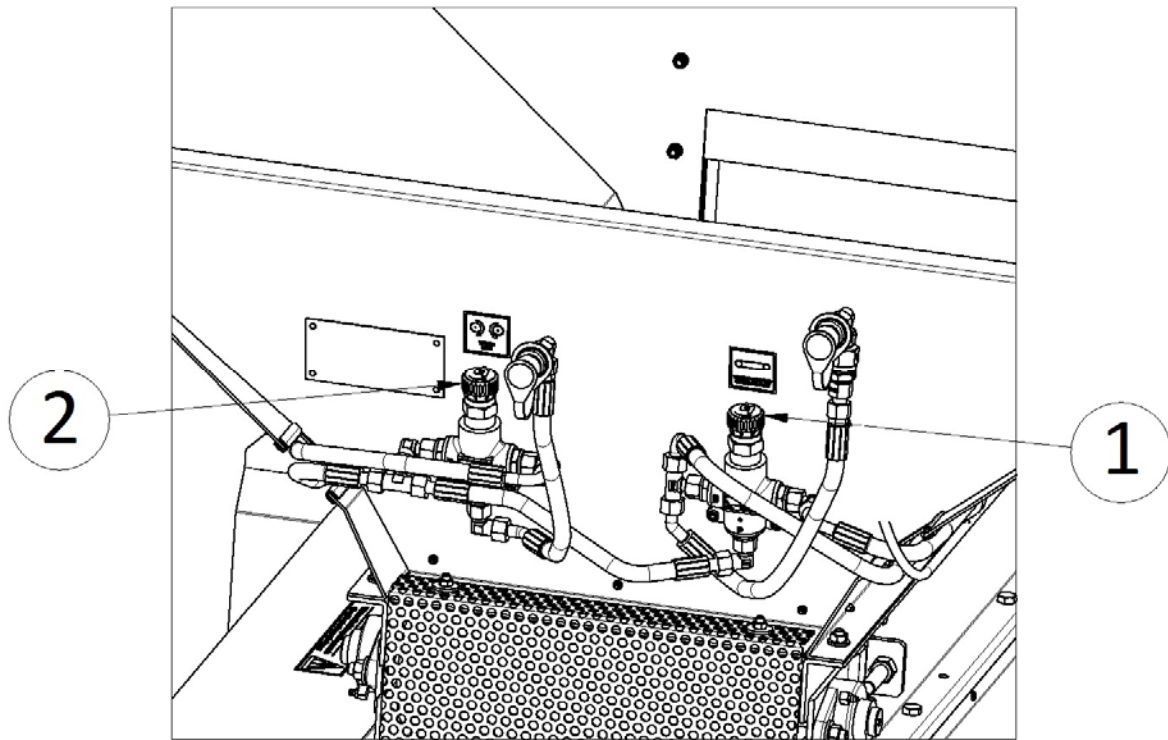


Fig. 2: Controls

Adjust spread thickness

The spread thickness depends on:

- the driving speed
- the speed of the conveyor belt - controller (1)
- the speed of the disc spreader - controller (2)
- the opening (A-G) of the automatic valve (3)

Spreading Chart

Spread Rate	Disc Spreader	Conveyor Belt	Valve Position	Spread Range
	Controller (2)	Controller (1)	Valve	
Light	8-10	8-10	A-B	10 m
Medium	6-7	8-10	C-E	8 m
Thick	4	8-10	F-G	4 m

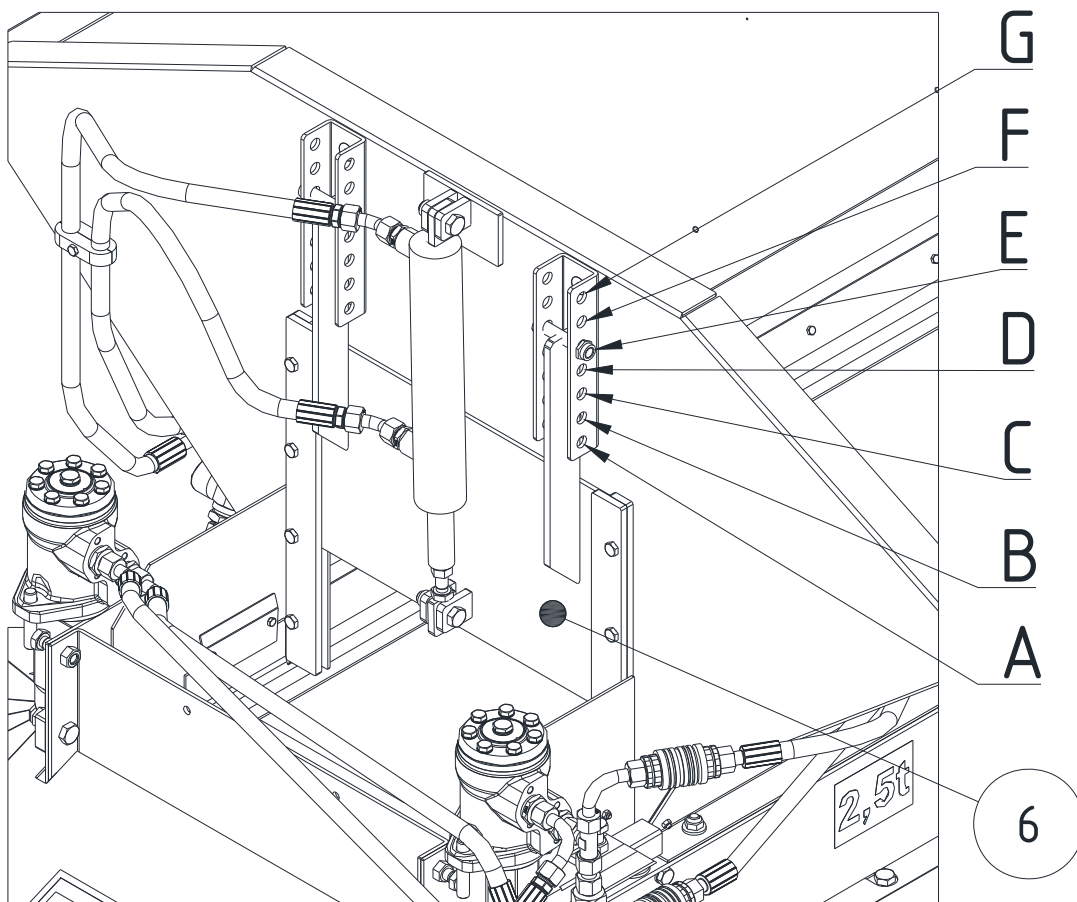


Fig. 3: Controls

Spreading different scatter materials

Different scattering materials require different types of settings. The **RINK DS550SP Disc Spreader** can be adjusted by the following material scattering.

- Rotation of the throw shovel loader (see disc setting with the irregular spread pattern - Fig 5)
- Regulating the conveyor belt speed with the controller (1) (see page 10 - Fig.2)
- Regulating the disc spreader speed with the controller (2) (see page 10 - Fig.2)
- Adjusting the opening of the A-D automatic valve (3) (see page 11 - Figure 3)
- Increasing or restricting the vehicle speed
- For very wet material and large thick debris, the deflector (4) can be removed from the spreading system (by means of a locknut M8) (Fig. 4).

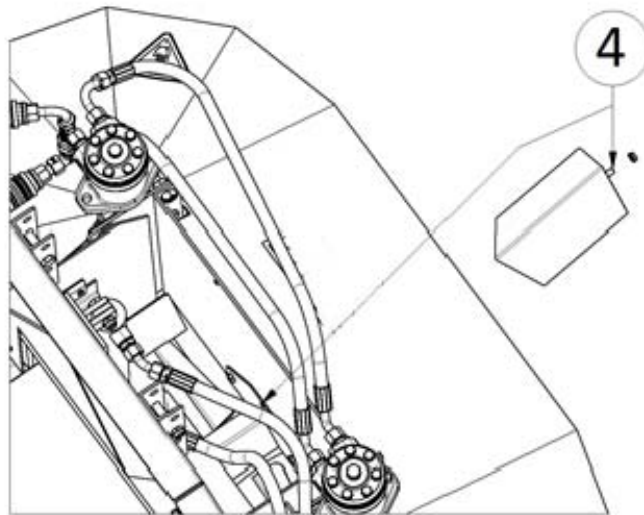


Fig. 4: Spreading Mechanism

Disc setting with the irregular spread pattern

Rotation of the throw shovel loader

The throw shovel loader (8) can be adjusted as required within the slotted holes (Fig. 5).

External concentration of material - Place every second blade (8) in the direction X

Internal concentration of material - Place every second blade (8) in the direction Y

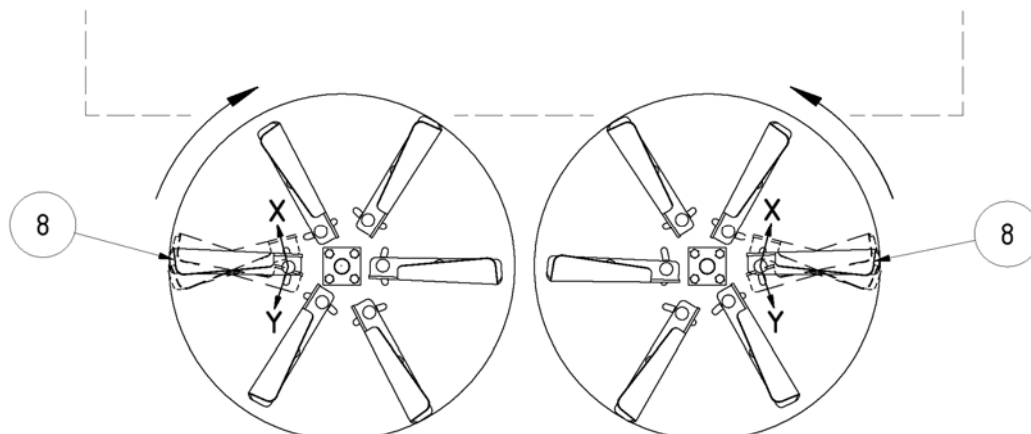


Fig. 5: Spreading Disc

7.0 CARE and MAINTENANCE

Bearings with multi-purpose grease (every 50 hours)

- (1) Bearings on both sides of the spreading disc
- (2) Bearings on both sides of the rear transportation shaft
- (3) Bearings on both sides of the front transportation shaft
- (4) Bearings on both sides of the wheel hub
- (5) Bearings on both sides of the drive shafts
- (6) Bush on the front fork

Bearings without grease fittings are maintenance free.

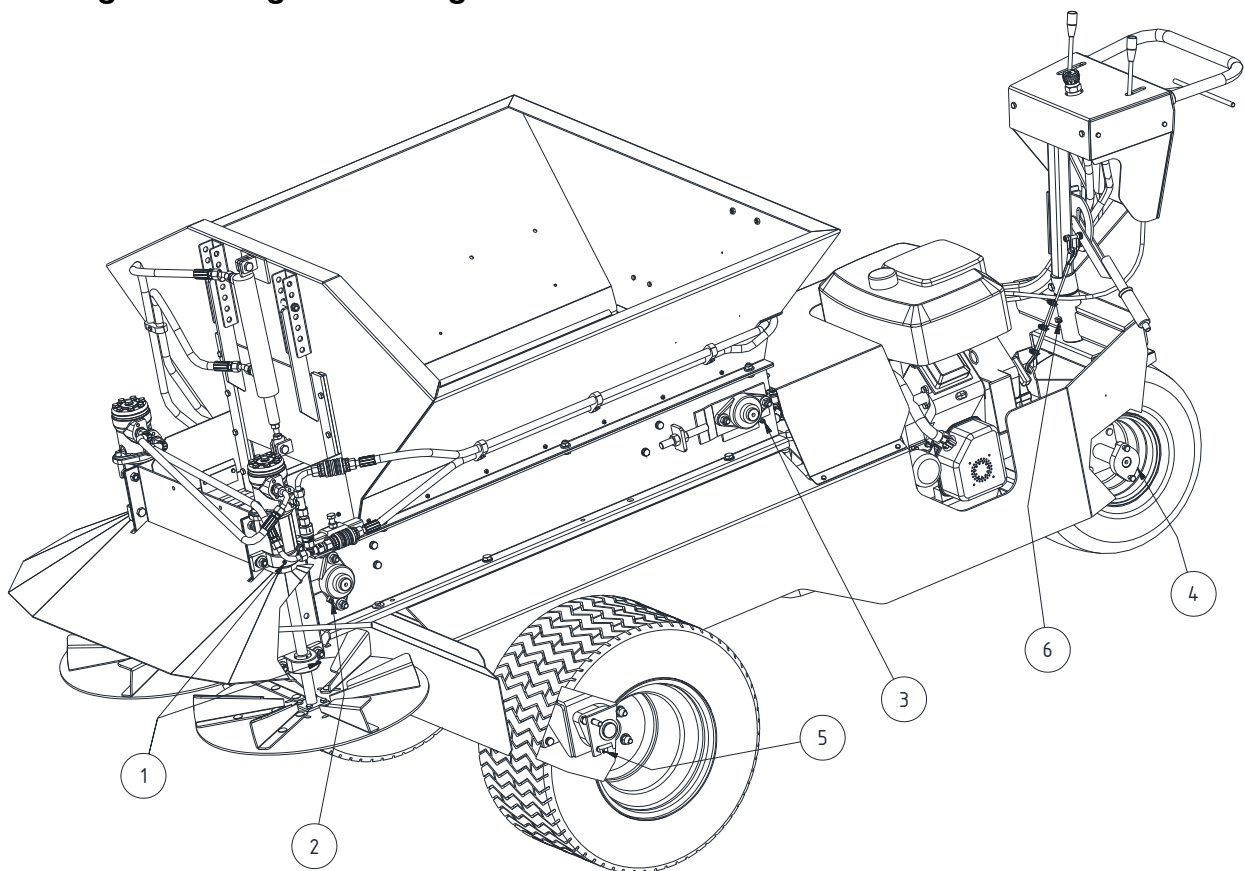


Fig. 6: Grease Points

Change the oil on conveyor belt transmission (every 100 hours)

- Remove filler plug (11).
- Remove drain plug (12) on the inside bottom and drain the oil.
- Screw the drain plug (12) back with a new gasket.
- 0.6 l of SAE85-W140 oil to fill
- Screw filler plug with a new gasket.



Oil endangers the environment; please make sure of environmentally safe disposal

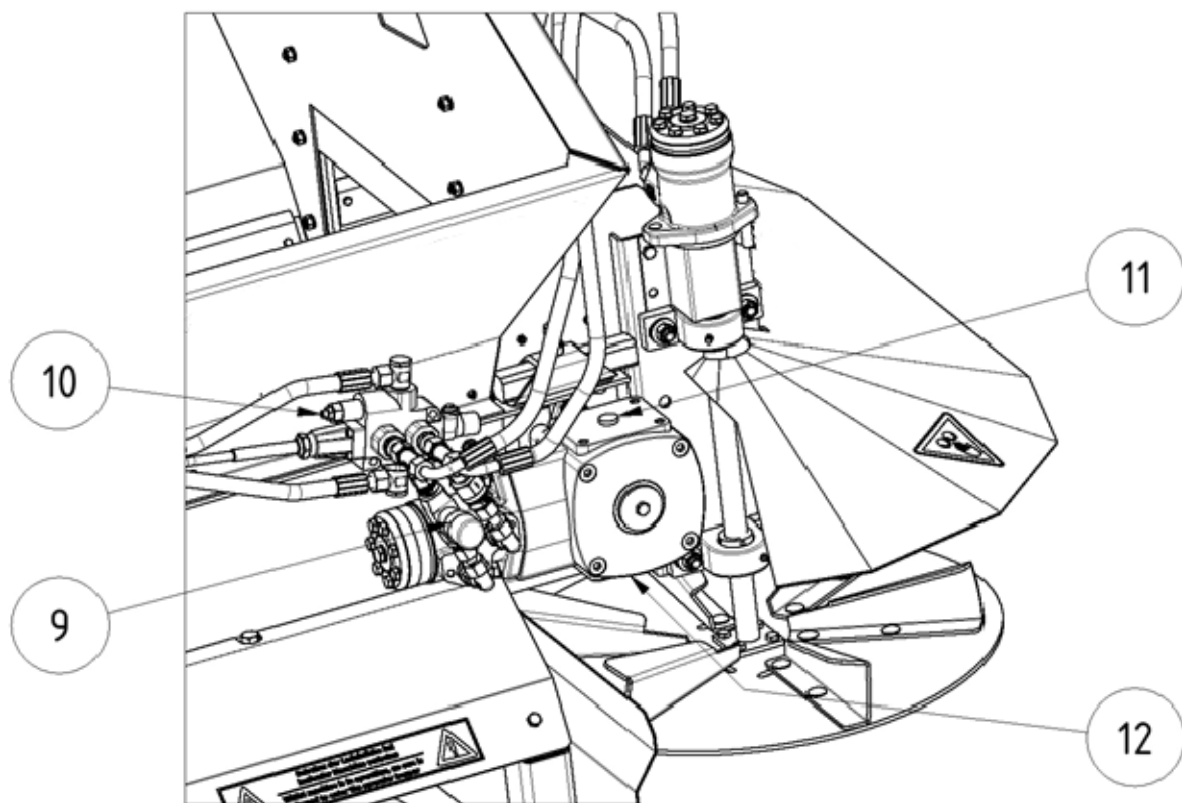


Fig. 7: Carriage gear

Adjust the pressure and throttle valve

- Pressure relief valve (10) can be adjusted exactly to the inner hexagon (Fig. 7).
- Throttle valve (9) (Fig. 7) for the regulation of the valve (3) (see page 11 - Fig. 3).

Conveyor belt tightening (if there is slippage)

- Loosen locknuts (13) on both sides.
- Screw nuts (14) evenly on both sides, each in clockwise direction. Tighten gradually one-half turn.
- Tighten locknuts (13) on both sides again.



Tightening excessively shortens the life of the conveyor belt!

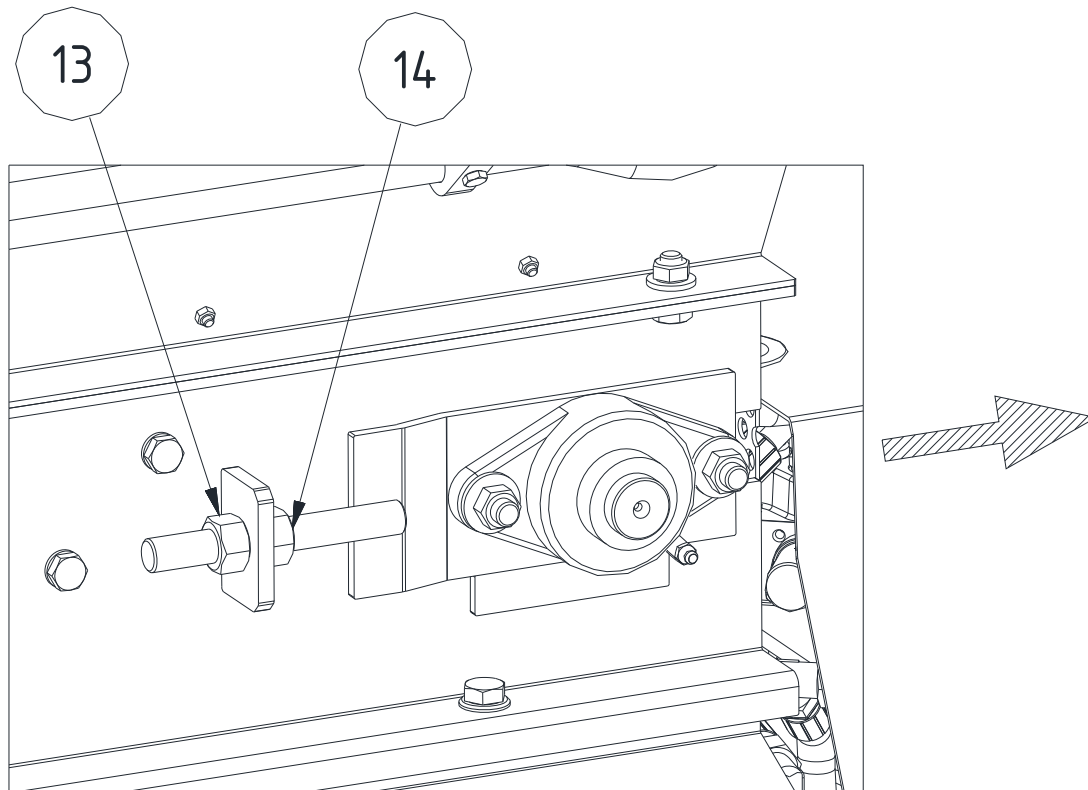


Fig. 8: Tighten conveyor belt

Install the conveyor belt

- Remove **RINK DS550SP Disc Spreader** from the chassis.
- Disconnect the hydraulic connectors and spreading system (1) by loosening the screws (2).
- Remove the protective (3) and rubber (4) covers to the right.
- Loosen the conveyor belt (7) on both sides by loosening the screw-nuts (8)
- Remove the connecting bolts (9) on the hopper (10).
- Loosen and remove clamping rings of the bearing (11) (in right direction).
- Loosen the screws (13) on the side (12) and pull off completely with bearing (11).
- Remove the conveyor belt (7).

Installation is in the reverse order.

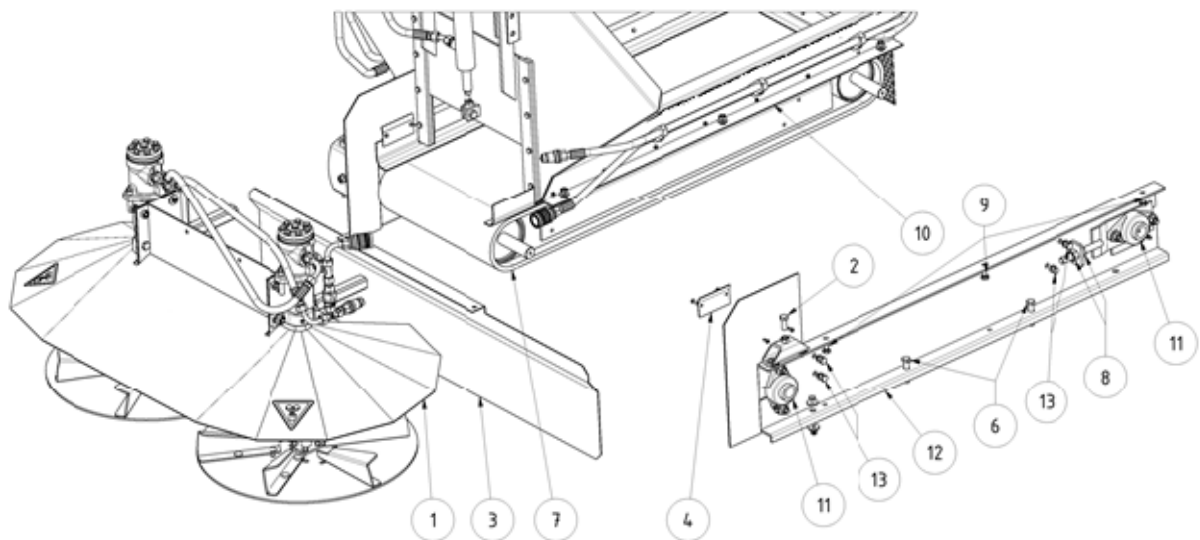


Fig. 9: Install the conveyor belt

Conveyor belt tightening after installation

- During the loosened condition of the conveyor belt, on both sides mark a length of 1,000 mm from the conveyor belt.
- Tighten the conveyor belt on both sides and evenly with the two tension bolts (see page 13), until the marked length is stretched to a maximum of 1,003 mm.
- Let the conveyor belt run for about 30 minutes until it is centred and running between the directional control valves, adjust if necessary.



The conveyor belt must not touch the sides, otherwise it will be damaged. During readjustment of the belt, gradually tighten the strips of the belt on the side.

Tightening too much shortens the life of the conveyor belt!

Oil tank

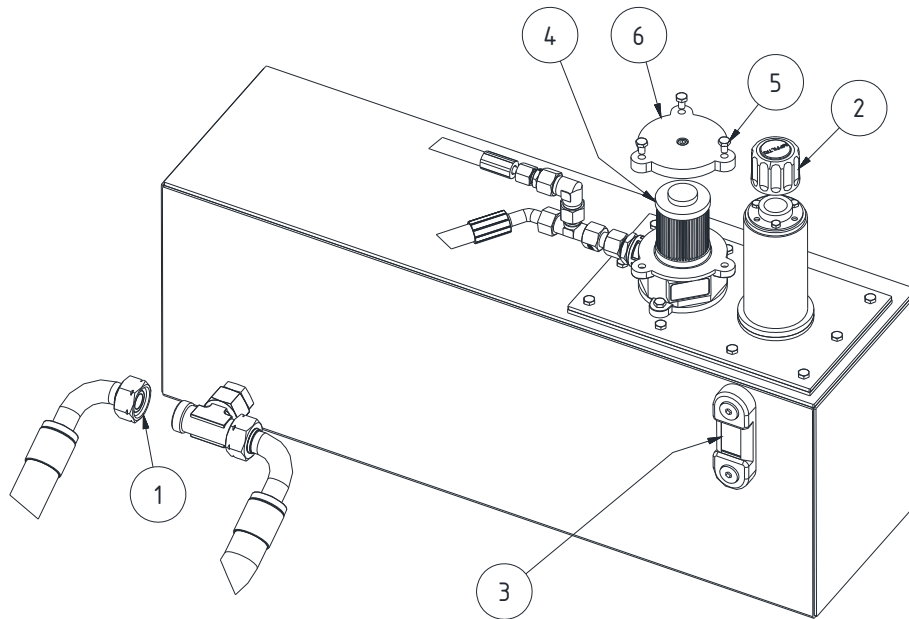


Fig. 10: Oil tank

Oil change at the hydraulic tank (every 100 operating hours)

- Loosen suction hose (1) and drain oil.
- Replace the suction hose (1).
- Remove cover (2) from filler neck.
- Fill **Plantosyn 3268 ECO** as far as the eyeglass center (3).
- Close the cover (2).

Filter change at the hydraulic tank (when changing oil or as required)

- Remove the cover (6) by loosening the screws (5).
- Replace filter cartridge (4).
- Refit the cover (6) with screws (5).



This is a closed hydraulic circuit. However, to prevent possible contamination, the return pipe (1) must be replaced every 100 hours.



Oil endangers the environment; please make sure of environmentally safe disposal

8.0 TROUBLESHOOTING

<i>Problem</i>	<i>Cause</i>	<i>Solution</i>
Valve does not open	No material in the hopper	Fill in material
	Throttle valve set too low	Open throttle valve (9) to adjust valve (fig 7)
Scattering width is too narrow	Disc spreader turns too slow	Increase disc spreader speed (2) (fig 2)
Scattering thickness is too thin	Insufficient material is being conveyed	Enlarge valve opening
	Disc spreader speed is too high	Reduce disc spreader speed (2) (fig. 2)
	Conveyor belt speed is too slow	Increase conveyor belt speed (1) (fig. 2)
Scattering thickness too thick	Too much material is being conveyed	Reduce valve opening
	Disc spreader speed too slow	Increase disc spreader speed (2) (fig 2)
	Conveyor belt speed is too high	Reduce belt conveyor speed (1) (fig. 2)
Irregular scatter pattern	Settings of the throw shovel loader are incorrect	Correct the settings of the throw shovel loader (8) (5)
Output is irregular	Conveyor belt speed is too slow	Increase belt conveyor speed (1) (fig. 2)
Belt conveyor will not start	Conveyor belt slips	Tighten conveyor belt
	Rear drive roller and conveyor belt do not rotate	Increase pressure control valve (10) by turning a quarter of a turn clockwise (fig. 7)
Problematic driving behavior on slopes	Weight of front axle too low	Mount the weight plate assembly

(Fig. 11) Problem Analysis

9.0 SPECIAL FEATURES

Weight plate assembly

(To improve driving on slopes)

By mounting the weight plate assembly (order no. : RGS 17203), the mass of the RINK plate spreader DS550SP in the front area increases.

This improves the driving behavior of the machine, especially on slopes and on steep terrain.

- Drill pre-drilled holes \varnothing 2mm to \varnothing 11mm.
- Fit the weight plates (1) with the supplied screws and nuts.

The removal takes place in the reverse order.

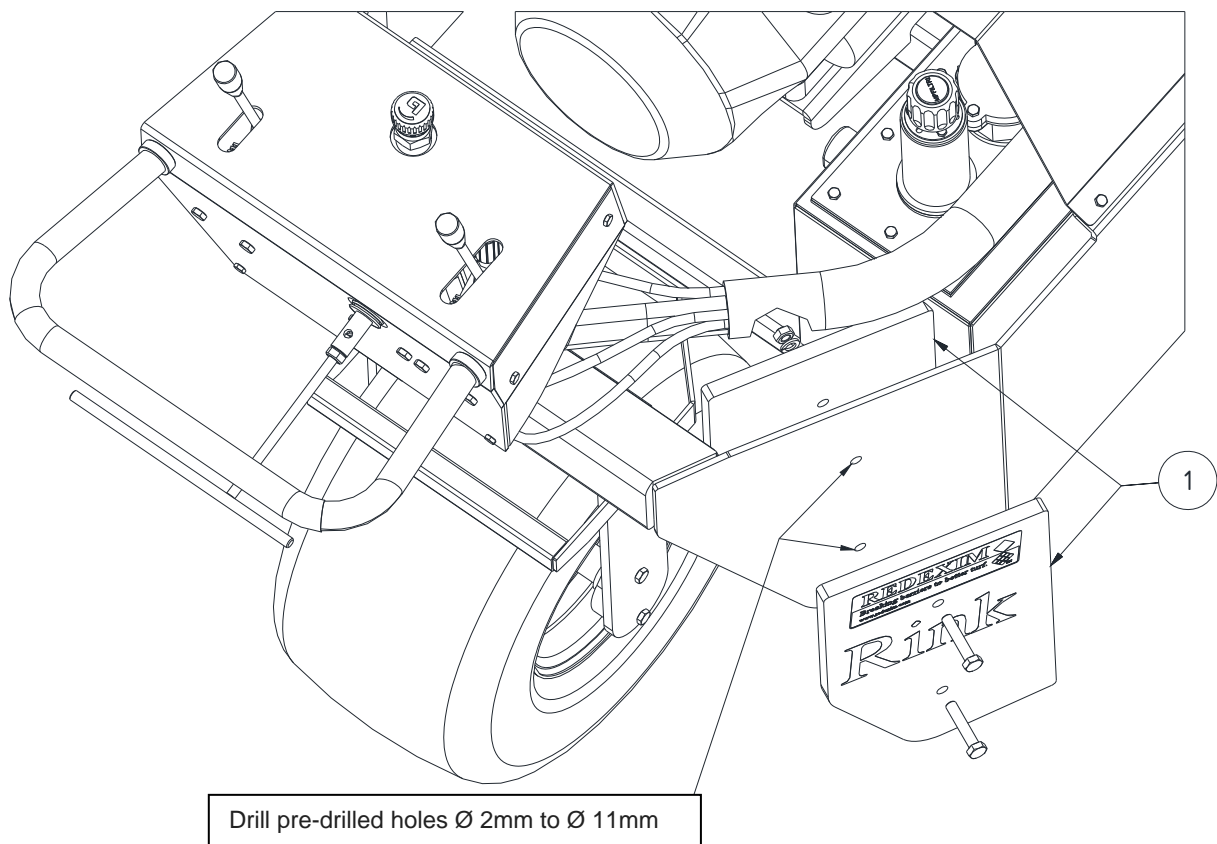
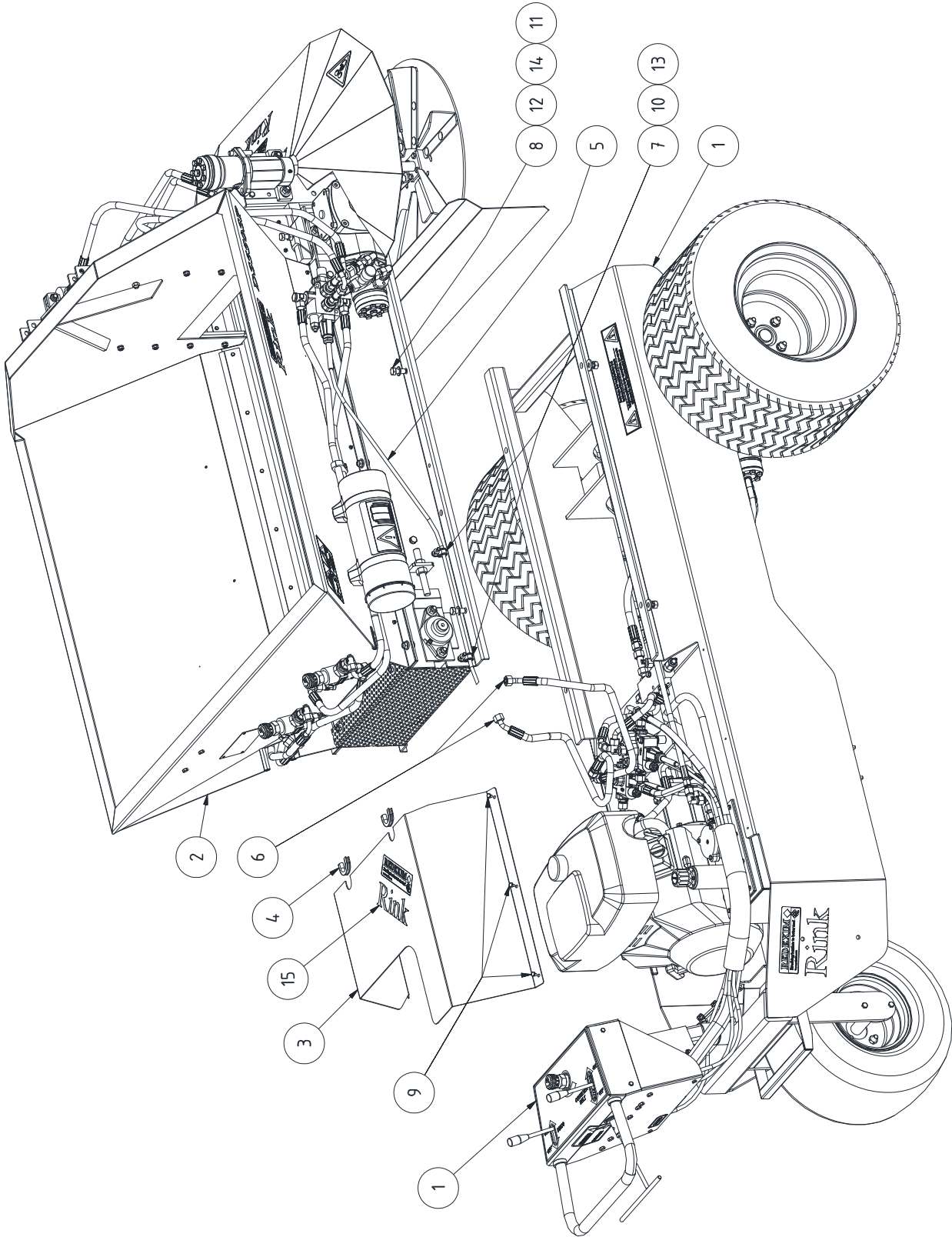


Fig. 12 Weight plate assembly

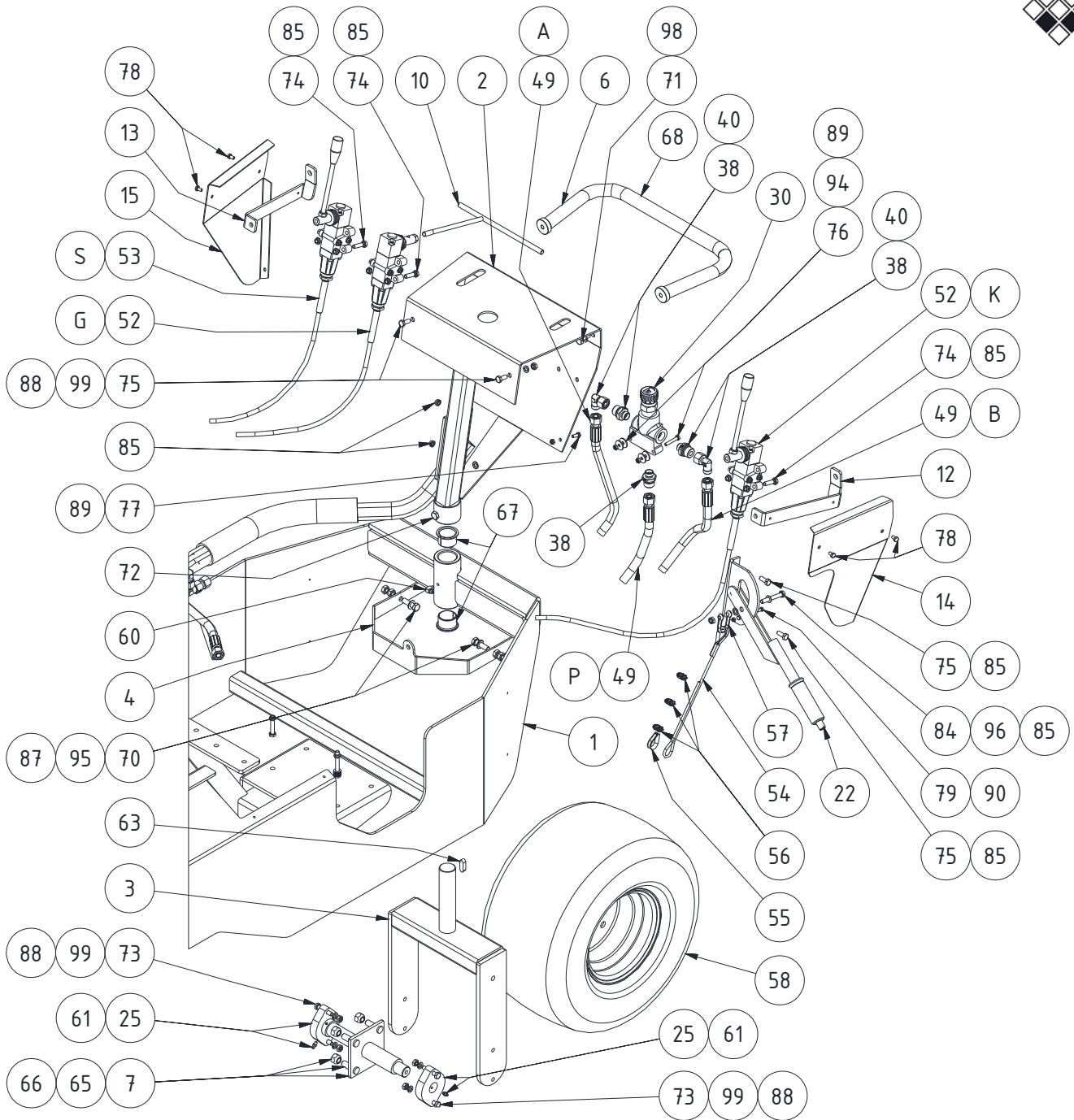
Parts manual

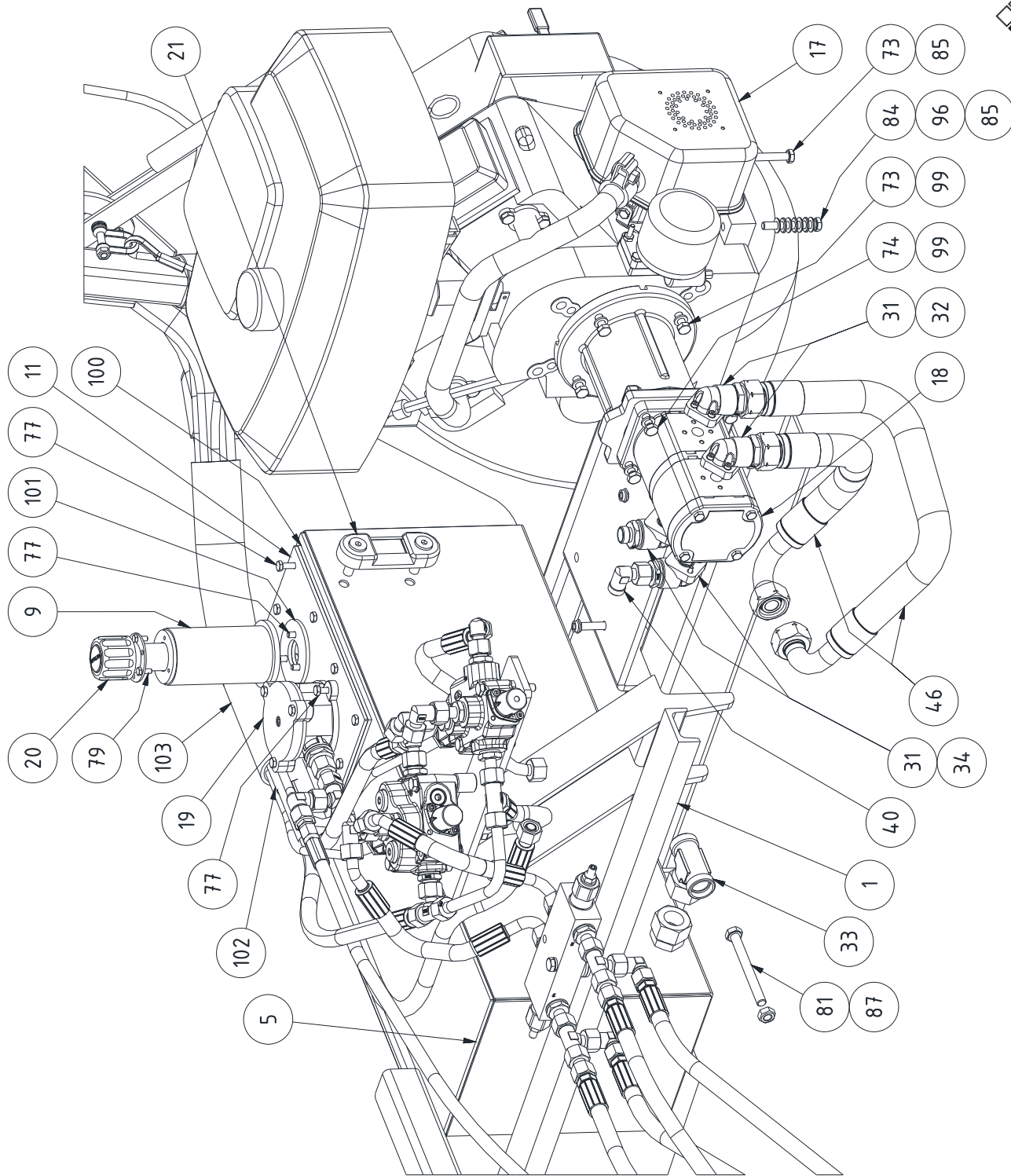


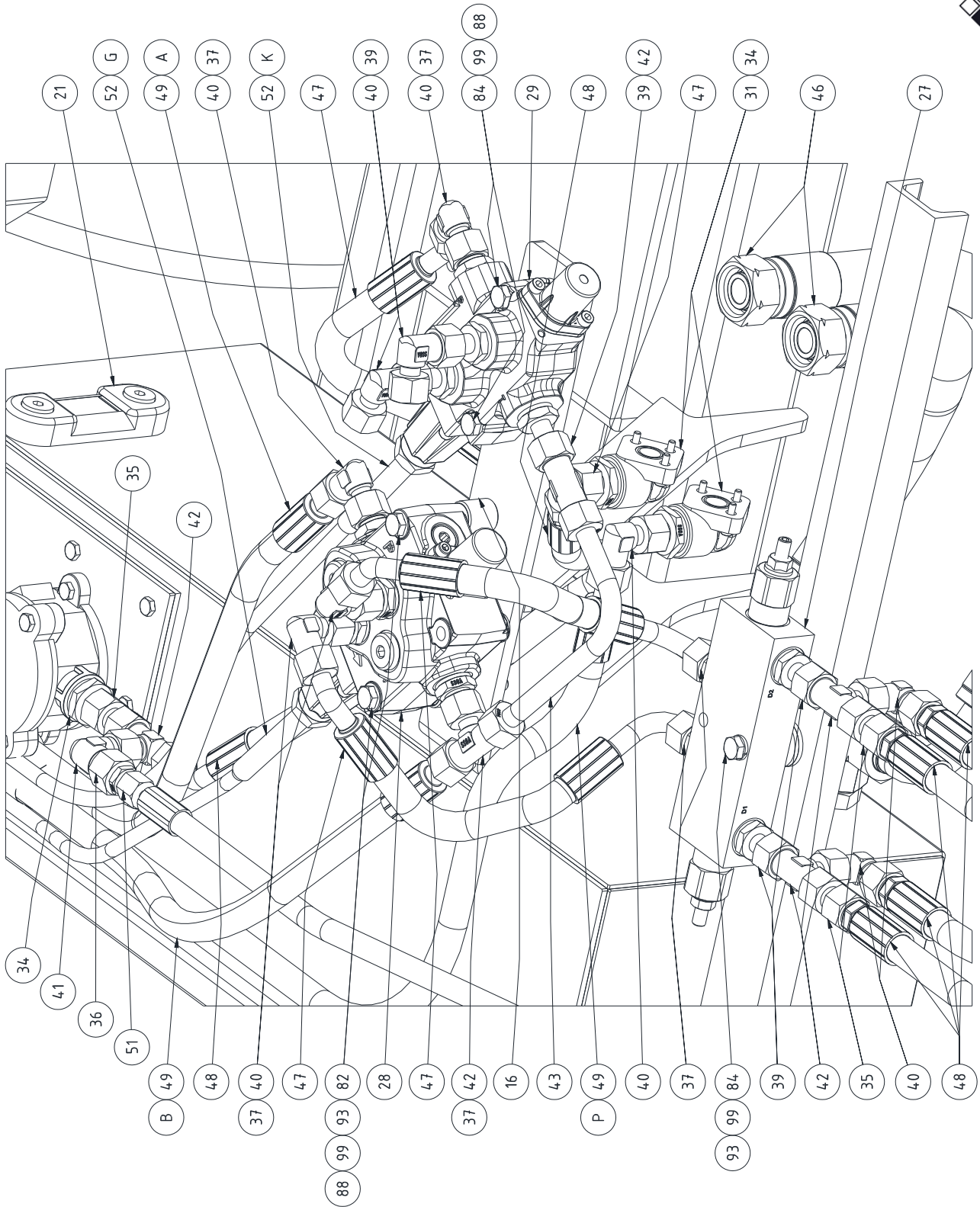


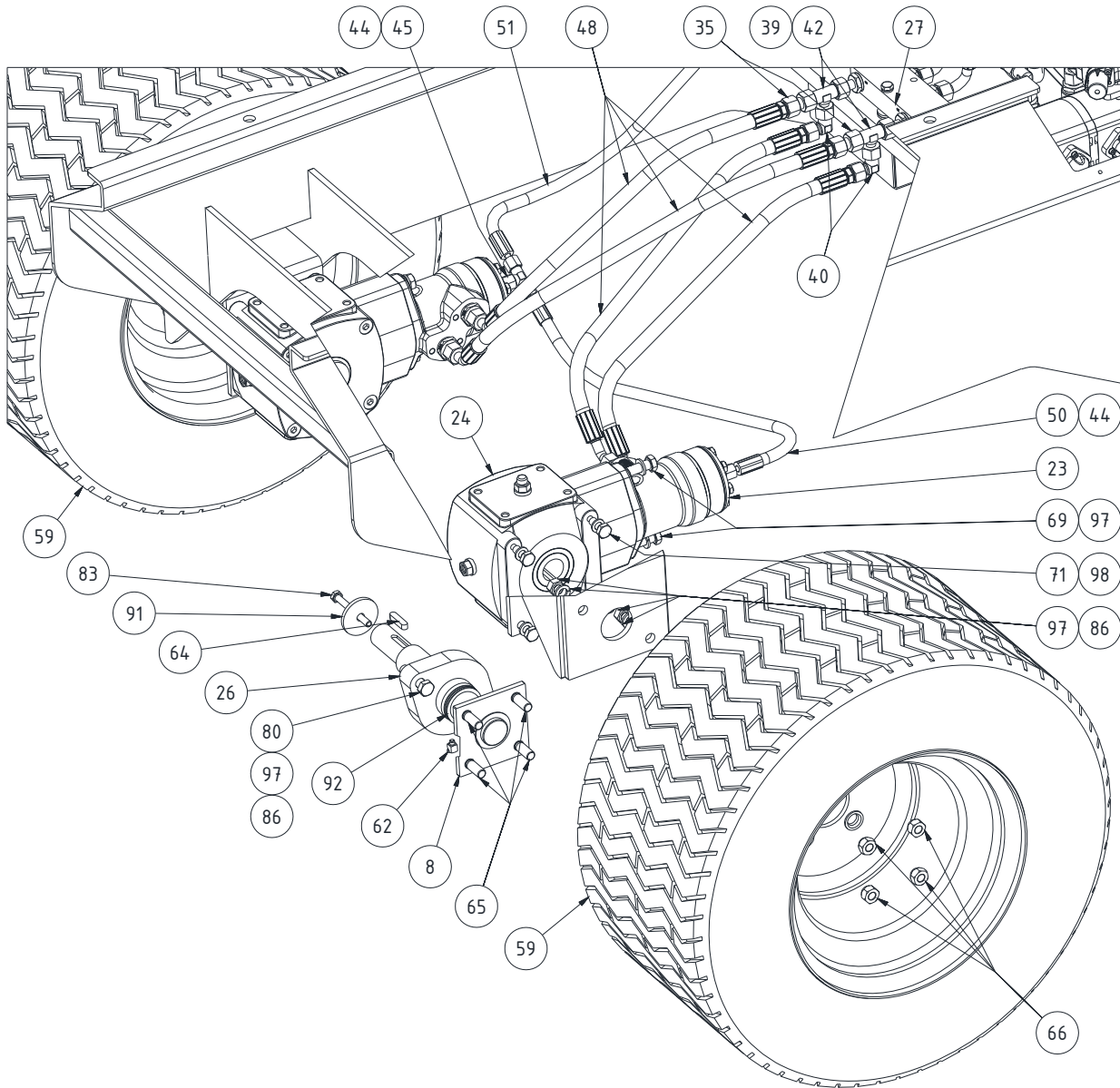
Redexim RINK DS550SP**Page 01 Code 1712**

	PART NO	DESCRIPTION	REMARKS	QUA
1		Drive	See parts page 02	
2		Hopper	See parts page 03	
3	RGS 16904	Cover		1
4	RGS 10268	Edge protection		2
5	RGS 5010	Cable with connection kit	L=2500mm	1
6	RGS 10671	Hydraulic hose 10x750		2
7	547.130.200	Hose clamp		2
8	804.120.300	Bolt M12x30		4
9	804.060.100	Bolt M6x10		5
10	804.050.120	Bolt M5x12		2
11	830.120.120	Self-lock nut M12		4
12	864.120.030	Washer		4
13	864.050.030	Washer		2
14	866.120.020	Spring washer		4
15	933.260.402	Decall Rink		1





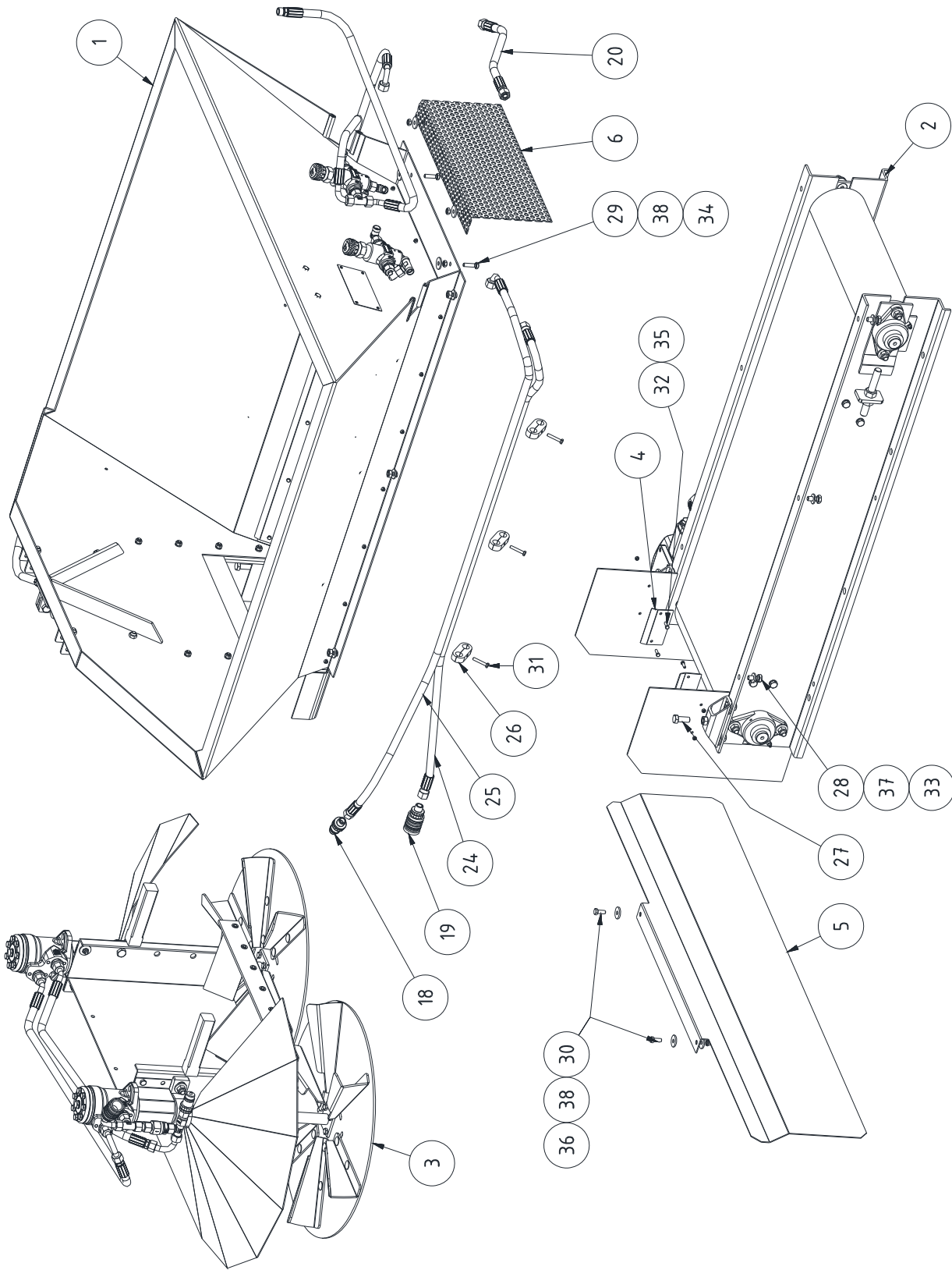


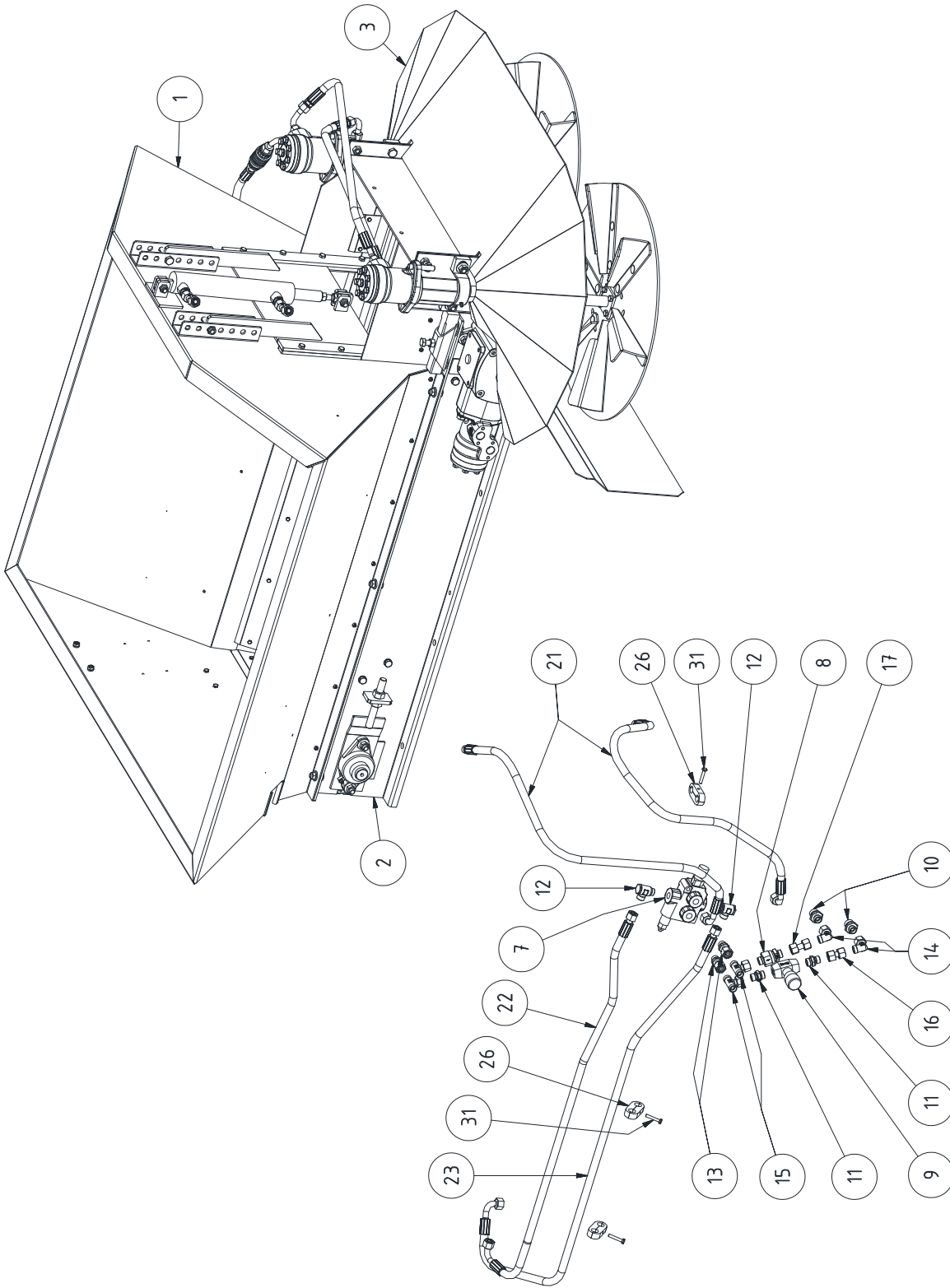


Redexim RINK DS550SP**Page 02 Code 1712**

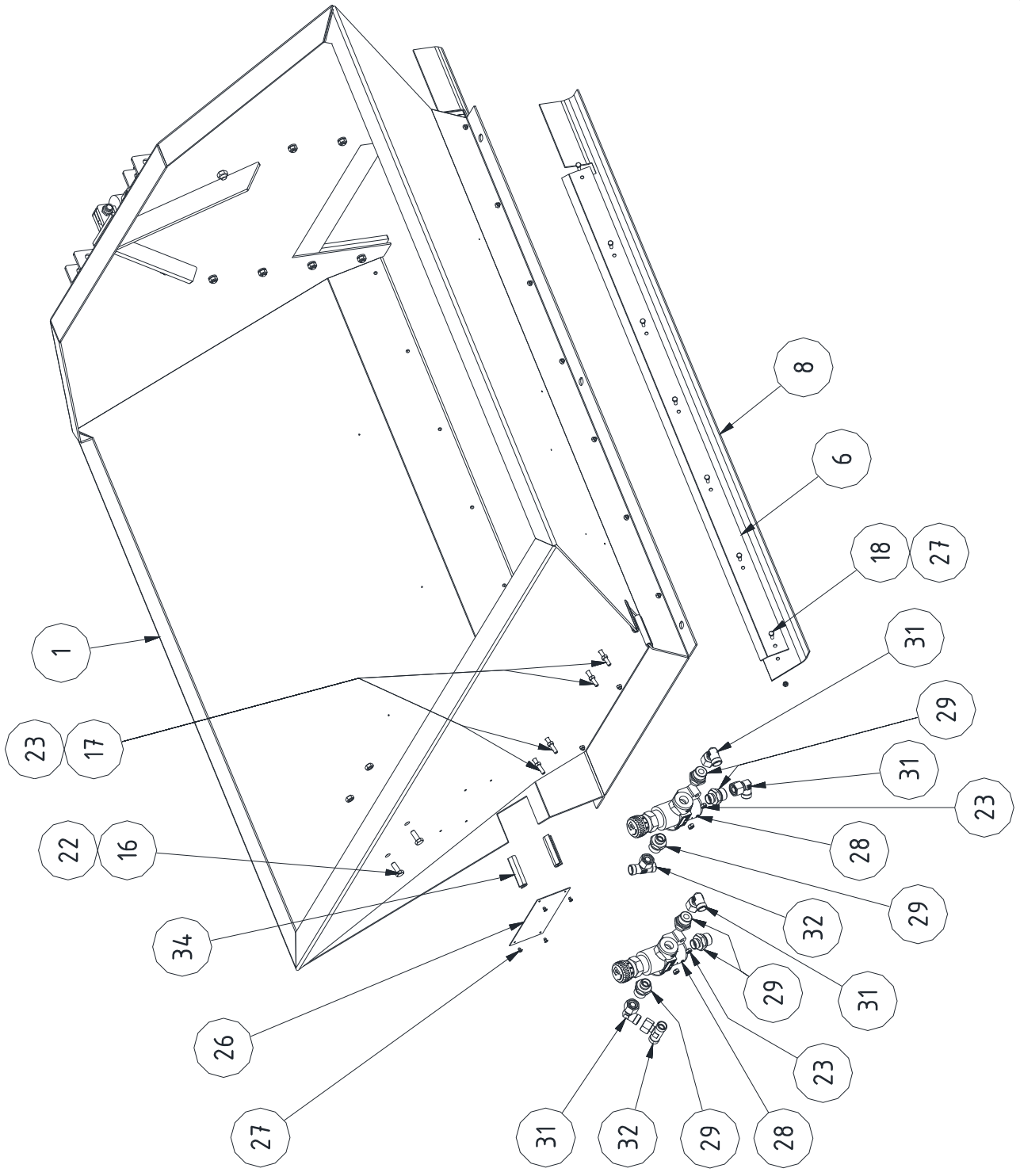
	PART NO	DESCRIPTION	REMARKS	QUA
1	RGS 16900	Frame		1
2	RGS 16910	Control box		1
3	RGS 16914	Front fork		1
4	RGS 16917	Brake lever		1
5	RGS 16077	Oil tank		1
6	RGS 16916	Handlebar		1
7	RGS 16929	Axle		1
8	RGS 17154	Drive shaft		2
9	RGS 16930	Cap for hydraulic tank		1
10	RGS 16933	Lever		1
11	RGS 16059	Nut		1
12	RGS 16907 Left	Support		1
13	RGS 16907 right	Support mirrored		1
14	RGS 16906	Cover		1
15	RGS 17191	Cover		1
16	RGS 15338	Spacer		2
17	RGS 10684	Motor 18 PS		1
18	RGS 5000	Pump		1
19	RGS 10841	Oil filter		1
20	RGS 10840	Filling and ventilation filter		1
21	RGS 10842	Oil level indicator		1
22	RGS 17182	Brake lever		1
23	RGS 10446	Hydraulic motor		2
24	RGS 10511	Gearbox		2
25	742.250.290	Bearing		2
26	RGS 10447	Bearing		2
27	RGS 5005	Shut-off Valve		1
28	RGS 5003	Control valve		1
29	RGS 10668	Valve		1
30	RGS 10005	Regulator 50L		1
31	RGS 5004	Flange		4
32	RGS 5008	Connector		2
33	RGS 5009	T- Connector		1
34	RGS 10662	Connector		7
35	RGS 10040	Straight nipple		3
36	RGS 10874	L-connector		1
37	RGS 10660	Connector		7
38	RGS 10028	Nipple		3
39	543.170.120	Nipple		5
40	544.180.400	L-connector		11
41	RGS 10661	L-connector		1
42	544.124.126	T-connector		5
43	RGS 16936	90° Connection		1
44	RGS 10652	Connector		2
45	RGS 10875	T-connector		1
46	RGS 5002	Hydraulic hose 20x500		2
47	RGS 10673	Hydraulic hose 10x280		3
48	RGS 10671	Hydraulic hose 10x750		5
49	RGS 10827	Hydraulic hose 10x1550		3
50	RGS 10651	Hydraulic hose 6x800		1
51	RGS 10650	Hydraulic hose 6x1500		1
52	RGS 5001	Cable		2
53	RGS 5010	Cable		1
54	RGS 10686	Cable		1
55	RGS 10558	Cable sleeve 5mm		1
56	RGS 10490	Cable clamp		3
57	RGS 11021	Connection		1
58	RGS 10525	Wheel complete		1
59	511.600.325	Wheel complete 24x13.00-12		2

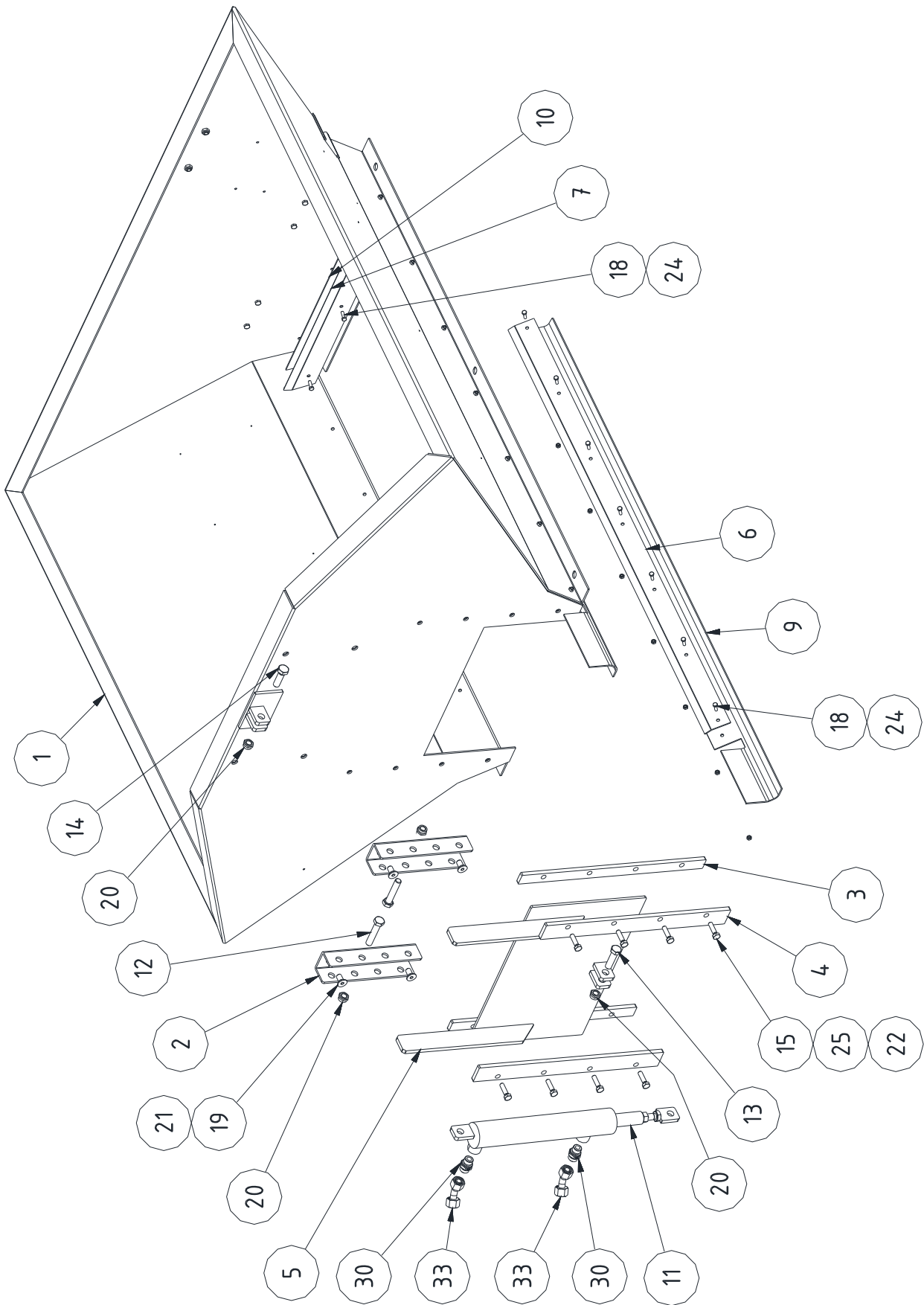
60	880.080.102	Grease nipple M8 90 degree		1
61	880.060.100	Grease nipple M6		2
62	880.060.102	Grease nipple M6 90 degree		2
63	884.100.300	Key A10x8x30		1
64	884.080.320	Key A8x7x35		2
65	RGS 10678	Bolt		12
66	RGS 5101	Wheel nut		12
67	RGS 10440	Bush		2
68	RGS 16934	Hose for handle		1
69	804.120.350	Bolt M12x35		4
70	804.100.350	Bolt M10x35		2
71	804.100.250	Bolt M10x25		10
72	804.100.160	Bolt M10x16		1
73	804.080.400	Bolt M8x40		10
74	804.080.300	Bolt M8x30		10
75	804.080.200	Bolt M8x20		4
76	804.060.350	Bolt M6x35		2
77	804.060.160	Bolt M6x16		17
78	804.060.100	Bolt M6x10		4
79	804.050.120	Bolt M5x12		4
80	802.120.500	Bolt M12x50		4
81	802.101.000	Bolt M10x100		1
82	802.081.000	Bolt M8x100		2
83	802.080.750	Bolt M8x75		2
84	802.080.600	Bolt M8x60		6
85	830.080.080	Self-lock nut M8		12
86	830.120.120	Self-lock nut M12		4
87	830.100.100	Self-lock nut M10		5
88	830.080.080	Self-lock nut M8		11
89	830.060.060	Self-lock nut M6		4
90	830.050.050	Self-lock nut M5		1
91	RGS 15385	Washer		2
92	RGS 10445	Washer 40x50x1		6
93	RGS 10107	Washer		4
94	RGS 10194	Washer		4
95	RGS 10196	Washer		2
96	RGS 10550	Washer		17
97	RGS 10136	Spring washer		8
98	RGS 10135	Spring washer		10
99	RGS 10134	Spring washer		19
100	RGS 11198	Seal		1
101	RGS 11199	Gasket		1
102	RGS 10427	Hose cover		1
103	RGS 10426	Hose spiral	L= 180mm	1



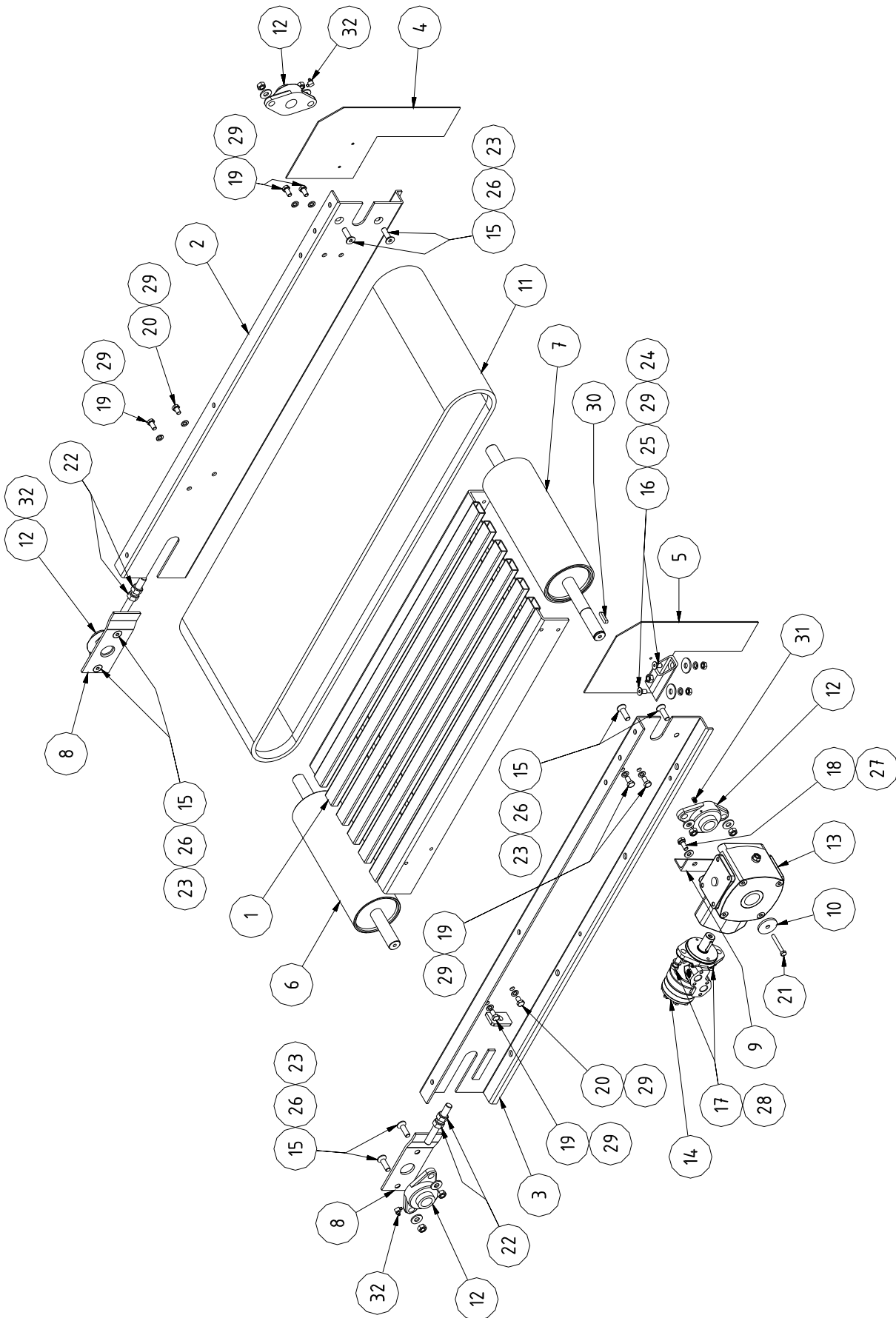


	PART NO	DESCRIPTION	REMARKS	QUA
1		Funnel complete	See parts page 04	
2		Belt unit DS550	See parts page 05	
3		Disc unit	See parts page 06	
4	RGS 16384	Rubber clamp strip		2
5	RGS 11148	Spreading plate		1
6	RGS 16377	Safety guard front		1
7	RGS 10669	Valve		1
8	RGS 10341	One way valve		1
9	RGS 10374	Flow reducer		1
10	RGS 10662	Nipple		2
11	RGS 10660	Nipple		2
12	544.173.430	Connector		2
13	543.170.120	Nipple		2
14	544.180.400	L-Connector		3
15	544.124.126	T- Connector		2
16	RGS 11169	Straight connector 40 mm		1
17	RGS 11170	Straight connector 46 mm		1
18	RGS 10747	Hydraulic connector male		1
19	RGS 10744	Hydraulic connector female		1
20	RGS 10659	Hydraulic hose 10x400		1
21	RGS 10666	Hydraulic hose 10x1200		2
22	RGS 10830	Hydraulic hose 10x1250		1
23	RGS 10829	Hydraulic hose 10x1300		1
24	RGS 10827	Hydraulic hose 10x1550		1
25	RGS 10828	Hydraulic hose 10x1750		1
26	RGS 10745	Clamp		6
27	804.120.300	Bolt M12x30		2
28	804.100.250	Bolt M10x25		6
29	804.080.300	Bolt M8x30		2
30	804.080.200	Bolt M8x20		2
31	804.060.350	Bolt M6x35		6
32	804.050.160	Bolt M5x16		4
33	830.100.100	Self-lock nut M10		6
34	830.080.080	Self-lock nut M8		4
35	830.050.050	Self-lock nut M5		4
36	RGS 10759	Self-lock nut M8-S		2
37	864.120.030	Washer M12		12
38	864.080.030	Large washer M8		8

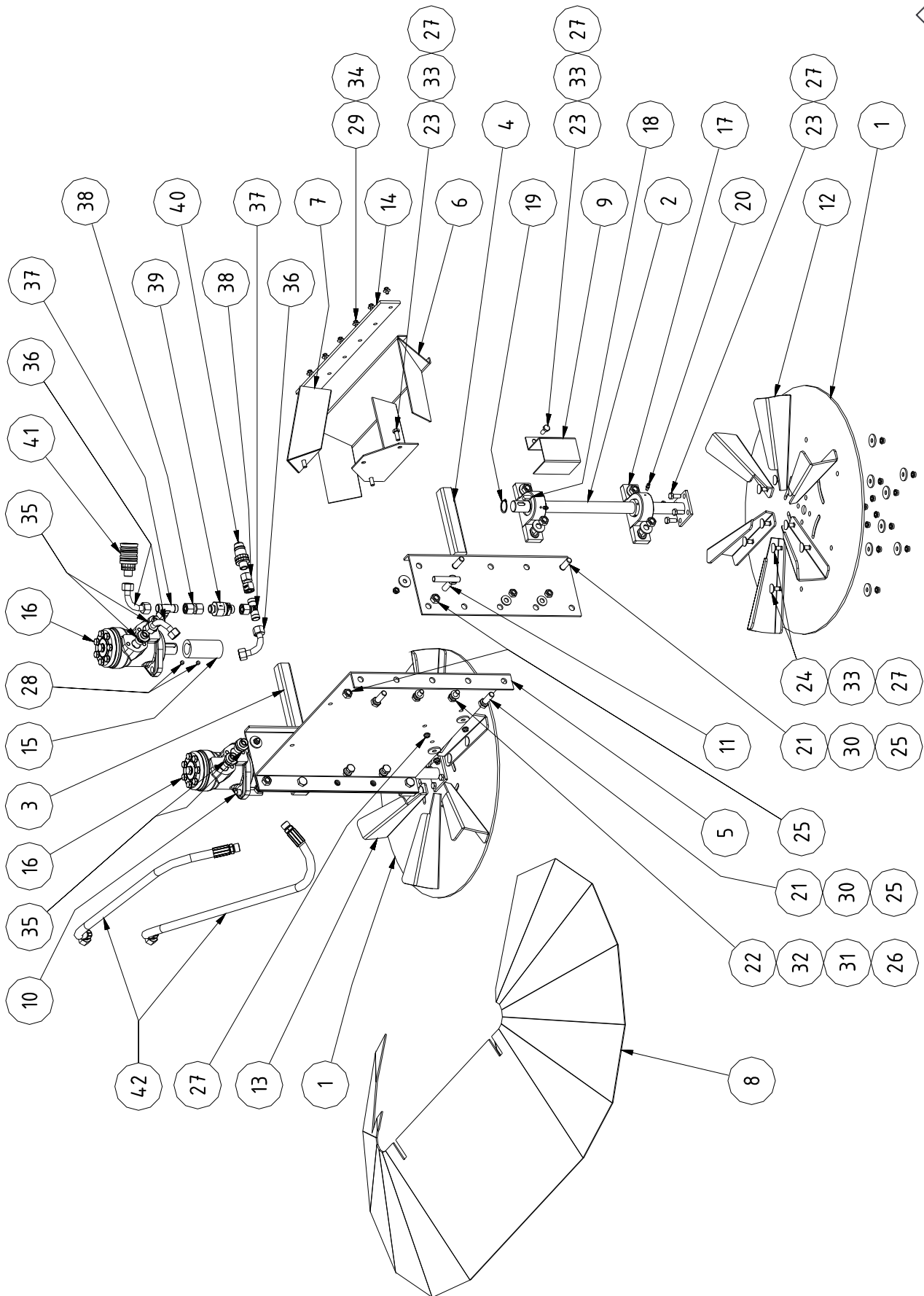




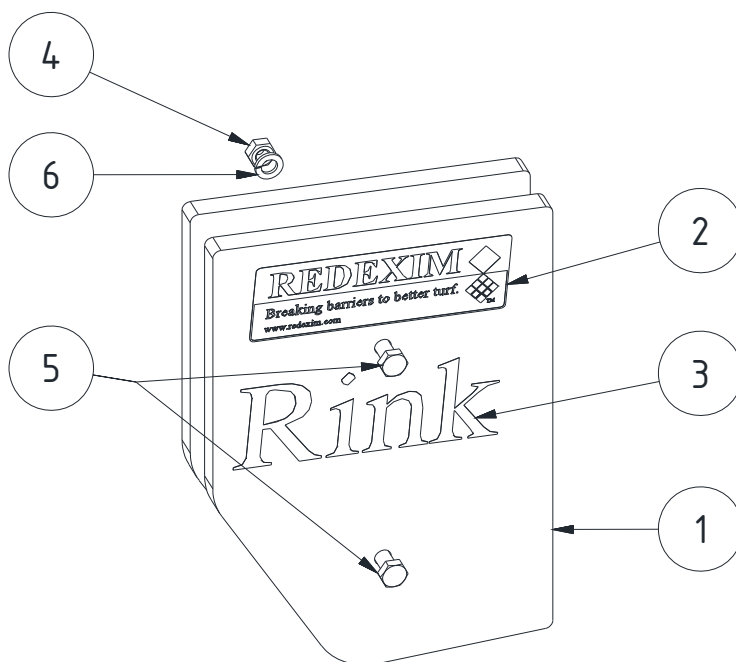
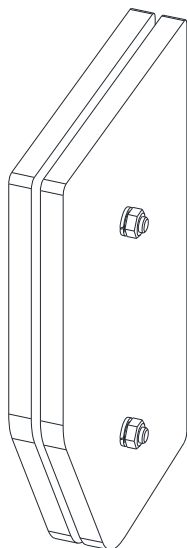
	PART NO	DESCRIPTION	REMARKS	QUA
1	RGS 16444	Hopper DS550		1
2	RGS 16360	Gate adjuster bracket		2
3	RGS 16359	Gate distance plate		2
4	RGS 16358	Gate guide plate		2
5	RGS 16409	Gate		1
6	RGS 11145	Rubber clamp strip		2
7	RGS 16375	Rubber clamp strip		1
8	RGS 10826 left	Rubber guide left		1
9	RGS 10826 right	Rubber guide right		1
10	RGS 10738	Rubber front		1
11	RGS 16457	Hydraulic cylinder		1
12	802.120.600	Bolt M12x60		2
13	804.120.450	Bolt M12x45		1
14	804.120.400	Bolt M12x40		1
15	804.080.300	Bolt M8x30		8
16	804.080.200	Bolt M8x20		2
17	804.060.350	Bolt M6x35		4
18	804.050.160	Bolt M5x16		17
19	814.100.201	Conic bolt M10x20		4
20	830.120.120	Self-lock nut M12		4
21	830.100.100	Self-lock nut M10		4
22	830.080.080	Self-lock nut M8		10
23	830.060.060	Self-lock nut M6		8
24	830.050.050	Self-lock nut M5		17
25	866.080.020	Spring washer M8		10
26	RGS 10533	Name plate		1
27	RGS 10220	Rivet 3x10		4
28	RGS 10336	Regulator 25L		2
29	511.130.402	Nipple		6
30	RGS 10660	Hydraulic fitting		2
31	544.180.400	Connector		4
32	544.124.126	T-Connector		2
33	RGS 11171	Connector 60 mm		2
34	RGS 10268	Protection rubber		4



	PART NO	DESCRIPTION	REMARKS	QUA
1	RGS 16447	Floor		1
2	RGS 16450 right	Side panel right		1
3	RGS 16450 left	Side panel left		1
4	RGS 16331 right	Sandguide right		1
5	RGS 16331 left	Sandguide left		1
6	RGS 16326	Roller front		1
7	RGS 16325	Roller rear		1
8	RGS 16112	Spanner		2
9	RGS 16249	Torque support		1
10	RGS 15385	Thick washer		1
11	RGS 10814	Conveyor belt		1
12	RGS 11001	Bearing		4
13	RGS 10511	Gearbox		1
14	RGS 10523	Hydraulic motor		1
15	814.120.400	Conical bolt M12x40		8
16	814.100.200	Conical bolt M10x20		4
17	804.120.350	Bolt M12x35		2
18	804.100.250	Bolt M10x25		2
19	804.100.200	Bolt M10x20		6
20	804.100.160	Bolt M10x16		2
21	802.080.600	Bolt M8x60		1
22	830.160.160	Self-lock nut M16		4
23	830.120.120	Self-lock nut M12		8
24	830.100.100	Self-lock nut M10		4
25	864.080.031	Large washer M8		4
26	864.120.030	Washer M12		8
27	864.100.030	Washer M10		2
28	866.120.020	Spring washer M12		2
29	866.100.020	Spring washer M10		12
30	884.080.352	Key 8x7x35		1
31	880.060.100	Grease nipple M6		1
32	880.060.102	Grease nipple M6 90		3

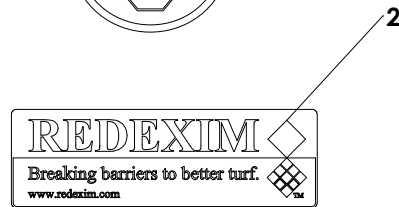
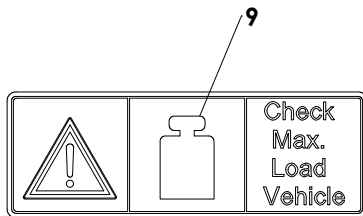
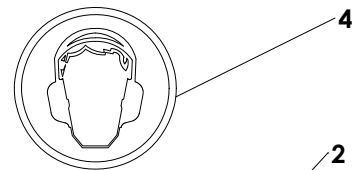
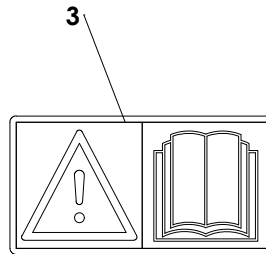
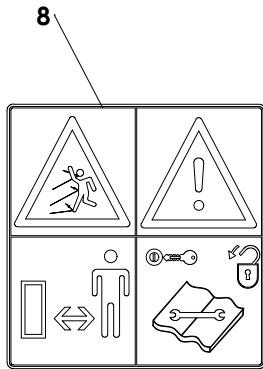


	PART NO	DESCRIPTION	REMARKS	QUA
1	RGS 16301	Disc		2
2	RGS 16329	Shaft		2
3	RGS 16337 left	Spinner shaft holder left		1
4	RGS 16337 right	Spinner shaft holder right		1
5	RGS 16305	Rear plate		1
6	RGS 16352	Sand guide plate		1
7	RGS 16403	Sand guide		1
8	RGS 16404	Cover		1
9	RGS 16381	Disc shaft cover		2
10	RGS 16379	Torque support		1
12	RGS 16353 right	Vane right		1
13	RGS 16353 left	Vane left		6
14	RGS 10796	Rubber strip		6
15	RGS 15137	Connection sleeve		1
16	RGS 10140	Hydraulic motor		2
17	RGS 10133	Bearing		2
18	884.080.200	Key 8x7x20		4
19	870.025.120	Circlip		2
20	RGS 10497	Grease nipple		2
21	804.120.400	Bolt M12x40		4
22	804.100.250	Bolt M10x25		8
23	804.080.200	Bolt M8x20		4
24	820.080.200	Mushroom head bolt M8x20		12
25	830.120.120	Self-Lock Nut M12		24
26	830.100.100	Self-Lock Nut M10		12
27	830.080.080	Self-Lock Nut M8		4
28	818.080.080	Set screw M8x8		37
30	864.120.030	Washer M12		4
31	864.100.030	Washer M10		6
33	864.080.031	Large washer M8		8
35	544.130.402	Fitting		4
36	RGS 19010	Connector 60 mm		4
37	544.124.126	T-connector		28
38	RGS 10040	Straight nipple pre mounted		6
39	RGS 10341	Reverse valve		4
40	RGS 10747	HD male		3
41	RGS 10744	HD female		2
42	RGS 10671	Hydraulic hose 10x750		2



Redexim RINK DS550SP**Page 07 Code 1712**

	PART NO	DESCRIPTION	REMARKS	QUA
1	RGS 17185	Weight plate		4
2	900.260.403	Logo Label		2
3	933.260.402	Decall Rink		2
4	804.100.500	Bolt M10x50		4
5	830.100.100	Self-lock nut M10		4
6	866.100.020	Spring washer M10		4



Rink

6

DS

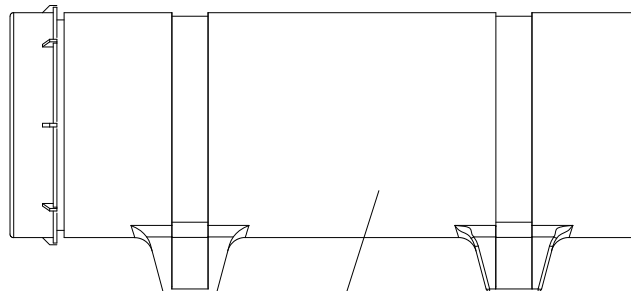
7

550

5

SP

10



1

ITEM	PART NUMBER	DESCRIPTION	REMARKS	QUA
1	444.803.100	Toolbox Complete		1
2	900.260.403	Logo Label		3
3	900.280.402	Safety decall manual		1
4	911.340.410	Safety decall noise		1
5	933.260.426	Decall 550		2
6	933.260.402	Decall Rink		2
7	933.260.418	Decall DS		2
8	933.280.402	Safety decall Rink Verti-Top		2
9	933.280.404	Safety decall max load		2
10	944.260.406	Decall SP		2