

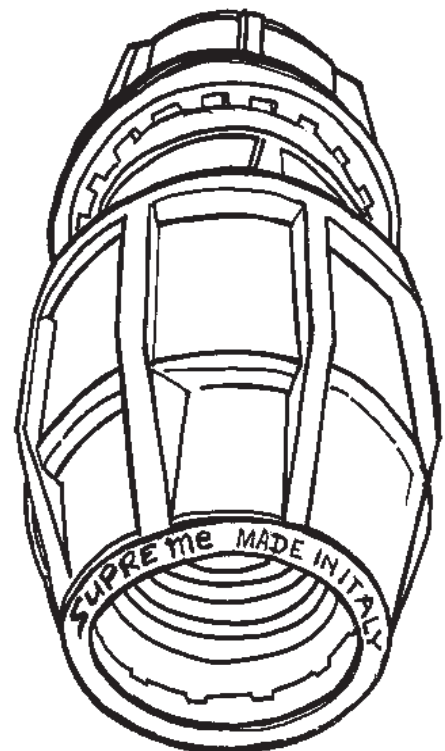
suprem fittings

By QUAPUS SA srl



S-JOINT COMPRESSION FITTINGS

RACCORDI A COMPRESSIONE S-JOINT



S-JOINT

Raccordi a compressione

Compression fittings
Raccords à compression
Accesorios compresión

VANTAGGI

- Semplice e robusto
- Ottimo rapporto qualità prezzo
- Ideale per impianti di irrigazione

ADVANTAGE

- Simple and robust
- Excellent price/quality ratio
- Ideal for irrigation

AVANTAGES

- Simple et robuste
- Excellent rapport qualité/prix
- Idéale pour l'irrigation

VENTAJAS

- Simple y robusto
- Optima relación calidad/precio
- Ideal para el mercado del riego



Ghiera
Nut / Ecrou / Tuerca
[PP]



Anello di graffaggio
Grip ring / Bague d'agrafage
Cono de fijación
[POM]



Anello di battuta
Spacer ring / Douille de poussée
Anillo prensa O-ring
[PP]



O-ring
[NBR 70sh A]



Corpo
Body / Corp / Cuerpo
[PP]



MODENA, 9/09/2021

Sample serial no: 14302021

Registration date: 10/01/2021

AMENDMENT TEST REPORT n° 21A27478-In-1

It completely replaces all previous versions: 21A27478-In-0.

Amendment reason/Modification of sample description after sending of test report

SAMPLE: 21A27478

MATRIX: Plastic material

Description provided by Customer: CODE 0810002000 - MANICOTTO S-JOINT Ø32 PN16 - PRODUCTION BATCH NOVEMBER 2020

THE SAMPLE HAS BEEN TAKEN BY THE CUSTOMER, THE TRANSPORT HAS BEEN MADE BY NEOTRON. Sample Condition on Receipt: Room temperature

Multi-Test Description	Model	Lot	Material	Color	Dimensions	Weight	Quantity	Notes
Determination of overall migration limit in distilled water at 40°C for 10 days (LCM 10/20) and (SM 10/20-2000, n. 174) and measurement	LCO		PP	Blue	Ø32	1.2	10	

END TEST REPORT

The original document is a PDF file with Digital Signature: 21A27478-In-1-DigitalSignature.pdf

Results and test method:

On the basis of the test performed, the results are reported in the attached report. The test results are reported in the attached report. The test results are reported in the attached report. The test results are reported in the attached report.

Notes and method reference:

The migration has been performed under static conditions, dipping an item (one piece) into 350 ml of distilled water, after washing it in distilled water for 30 minutes and subsequent quick rinsing with distilled water.

1) The migration test is performed according to the method described in the attached report.

2) The migration test is performed according to the method described in the attached report.

3) The migration test is performed according to the method described in the attached report.

4) The migration test is performed according to the method described in the attached report.

5) The migration test is performed according to the method described in the attached report.

6) The migration test is performed according to the method described in the attached report.

7) The migration test is performed according to the method described in the attached report.

8) The migration test is performed according to the method described in the attached report.

9) The migration test is performed according to the method described in the attached report.

10) The migration test is performed according to the method described in the attached report.

Pressione nominale

Working pressure / Pression nominale / Presión nominal

Ø16 ... Ø63 PN16

Ø75 ... Ø110 PN10

Test: 2 x PN / 1h @ 20°

SUITABLE FOR CONTACT WITH DRINKING WATER

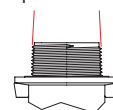
Normative

Standards / Normes / Normas

UNI9561 / AS/NZS4129 / BRL-K 17105

DIN8076 / ISO17885 / UNI EN 10226-1 (ISO 7/1)

Male threads
tapered 1:16



ISO 7/1 Conical

Female threads



ISO 7/1 Parallel

T a 90° ridotto

Reducing 90° tee / Té à 90° réduit / T a 90° reducido



CODE: 08075	PN	Ø x Ø x Ø	PACK	€
08075025020G	16	25x20x25	60 B - 10 P	6,67
08075032025G	16	32x25x32	40 B - 10 P	7,40
08075040032G	16	40x32x40	21 B	14,82
08075050040G	16	50x40x50	14 B	20,00
08075063025G	16	63x25x63	8 B	26,43
08075063032G	16	63x32x63	8 B	26,43
08075063050G	16	63x50x63	8 B	26,43
08075075063G	10	75x63x75	4 B	49,52
08075090075G	10	90x75x90	5 A	78,78
08075110063G	10	110x63x110	4 A	139,91
08075110090G	10	110x90x110	4 A	139,91

T a 90° filettato femmina

90° female tee / Té à 90° taraudée / T a 90° hembra



CODE: 08085	PN	Ø x D" x Ø	PACK	€
0808502000BG	16	20x1/2"x20	100 B - 20 P	4,20
0808502000CG	16	20x3/4"x20	100 B - 20 P	4,20
0808502500BG	16	25x1/2"x25	80 B - 10 P	5,45
0808502500CG	16	25x3/4"x25	80 B - 10 P	5,45
0808502500DG	16	25x1/2"x25	80 B - 10 P	5,97
0808503200BG	16	32x1/2"x32	50 B - 10 P	6,79
0808503200CG	16	32x3/4"x32	50 B - 10 P	6,79
0808503200DG	16	32x1"x32	50 B - 10 P	6,79
0808503200EG	16	32x1 1/4"x32	50 B - 10 P	9,27
0808504000DG	16	40x1"x40	28 B	13,71
0808504000EG	16	40x1 1/4"x40	28 B	13,71
0808504000FG	16	40x1 1/2"x40	25 B	15,06
0808505000EG	16	50x1 1/4"x50	18 B	18,27
0808505000FG	16	50x1 1/2"x50	18 B	18,27
0808505000GG	16	50x2"x50	15 B	20,87
0808506300FG	16	63x1 1/2"x63	10 B	26,06
0808506300GG	16	63x2"x63	10 B	26,06
0808506300IG	16	63x2 1/2"x63	10 B	34,21
0808507500GG	10	75x2"x75	6 B	46,18
0808507500IG	10	75x2 1/2"x75	6 B	46,18
0808507500LG	10	75x3"x75	4 B	46,18
0808509000IG	10	90x2 1/2"x90	3 B	71,62
0808509000LG	10	90x3"x90	3 B	71,62
0808511000LG	10	110x3"x110	6 A	108,06
0808511000MG	10	110x4"x110	6 A	108,06

Stainless steel reinforcing ring from 1 1/2" to 4".

suprem fittings



T a 90°

90° tee / Té à 90° / T a 90°



CODE: 08080	PN	Ø x Ø x Ø	PACK	€
08080020020G	16	20x20x20	80 B - 20 P	4,69
08080025025G	16	25x25x25	60 B - 10 P	6,17
08080032032G	16	32x32x32	30 B - 10 P	8,03
08080040040G	16	40x40x40	20 B	14,08
08080050050G	16	50x50x50	12 B	18,90
08080063063G	16	63x63x63	8 B	26,92
08080075075G	10	75x75x75	4 B	49,52
08080090090G	10	90x90x90	5 A	69,14
08080110110G	10	110x110x110	4 A	133,36

T a 90° filettato maschio

90° male tee / Té à 90° fileté male / T a 90° macho



CODE: 08090	PN	Ø x D" x Ø	PACK	€
0809002000BG	16	20x1/2"x20	100 B - 20 P	4,10
0809002000CG	16	20x3/4"x20	100 B - 20 P	4,10
0809002500BG	16	25x1/2"x25	80 B - 10 P	5,38
0809002500CG	16	25x3/4"x25	80 B - 10 P	5,38
0809002500DG	16	25x1"x25	70 B - 10 P	5,38
0809003200BG	16	32x1/2"x32	50 B - 10 P	7,16
0809003200CG	16	32x3/4"x32	50 B - 10 P	6,67
0809003200DG	16	32x1"x32	50 B - 10 P	6,67
0809003200EG	16	32x1 1/4"x32	50 B - 10 P	8,15
0809004000DG	16	40x1"x40	28 B	12,73
0809004000EG	16	40x1 1/4"x40	28 B	12,73
0809004000FG	16	40x1 1/2"x40	25 B	13,71
0809005000EG	16	50x1 1/4"x50	18 B	17,54
0809005000FG	16	50x1 1/2"x50	18 B	17,54
0809005000GG	16	50x2"x50	15 B	19,51
0809006300FG	16	63x1 1/2"x63	10 B	34,82
0809006300GG	16	63x2"x63	10 B	34,82
0809006300IG	16	63x2 1/2"x63	10 B	34,82
0809007500IG	10	75x2 1/2"x75	6 B	52,35
0809007500LG	10	75x3"x75	6 B	52,35
0809009000LG	10	90x3"x90	7 A	76,31
0809011000MG	10	110x4"x110	5 A	125,34

Tappo

Plug
Bouchon
Tapón



CODE: 08115	PN	Ø	PACK	€
0811502000G	16	20	280 B - 20 P	2,48
0811502500G	16	25	200 B - 10 P	2,71
0811503200G	16	32	120 B - 10 P	3,34
0811504000G	16	40	60 B	5,92
0811505000G	16	50	40 B	8,78
0811506300G	16	63	24 B	11,74
0811507500G	10	75	15 B	29,52
0811509000G	10	90	9 B	33,83
0811511000G	10	110	6 B	72,73

Raccordo maschio

Male adaptor
Raccord fileté male
Empalme macho



CODE: 08095	PN	Ø x D"	PACK	€
0809502000BG	16	20x1/2"	280 B - 20 P	2,00
0809502000CG	16	20x3/4"	280 B - 20 P	2,00
0809502000DG	16	20x1"	280 B - 20 P	2,35
0809502500BG	16	25x1/2"	200 B - 10 P	2,29
0809502500CG	16	25x3/4"	200 B - 10 P	2,29
0809502500DG	16	25x1"	200 B - 10 P	2,37
0809503200BG	16	32x1/2"	120 B - 10 P	3,62
0809503200CG	16	32x3/4"	120 B - 10 P	2,96
0809503200DG	16	32x1"	120 B - 10 P	2,96
0809503200EG	16	32x1"1/4	100 B - 10 P	3,96
0809503200FG	16	32x1"1/2	100 B - 10 P	4,14
0809504000DG	16	40x1"	60 B	5,92
0809504000EG	16	40x1"1/4	60 B	5,92
0809504000FG	16	40x1"1/2	55 B	6,67
0809504000GG	16	40x2"	50 B	6,92
0809505000EG	16	50x1"1/4	35 B	8,27
0809505000FG	16	50x1"1/2	35 B	7,78
0809505000GG	16	50x2"	35 B	8,27
0809506300EG	16	63x1"1/4	24 B	10,99
0809506300FG	16	63x1"1/2	24 B	10,99
0809506300GG	16	63x2"	24 B	10,99
0809506300IG	16	63x2"1/2	20 B	12,35
0809507500GG	10	75x2"	15 B	23,22
0809507500IG	10	75x2"1/2	15 B	23,22
0809507500LG	10	75x3"	12 B	23,22
0809509000GG	10	90x2"	8 B	29,02
0809509000IG	10	90x2"1/2	8 B	27,41
0809509000LG	10	90x3"	8 B	27,41
0809509000MG	10	90x4"	8 B	32,84
0809511000GG	10	110x2"	6 B	54,21
0809511000LG	10	110x3"	6 B	54,21
0809511000MG	10	110x4"	6 B	54,21

Manicotto

Coupling
Manchon
Manguito



CODE: 08105	PN	Ø	PACK	€
0810502000G	16	20	160 B - 20 P	3,51
0810502500G	16	25	100 B - 10 P	4,20
0810503200G	16	32	60 B - 10 P	5,38
0810504000G	16	40	40 B	9,51
0810505000G	16	50	25 B	12,97
0810506300G	16	63	15 B	18,03
0810507500G	10	75	8 B	35,82
0810509000G	10	90	5 B	44,34
0810511000G	10	110	3 B	94,84

Raccordo femmina

Female adaptor
Raccord taraudé
Empalme hembra



CODE: 08100	PN	Ø x D"	PACK	€
0810002000BG	16	20x1/2"	280 B - 20 P	2,47
0810002000CG	16	20x3/4"	240 B - 20 P	2,47
0810002500BG	16	25x1/2"	200 B - 10 P	2,85
0810002500CG	16	25x3/4"	200 B - 10 P	2,71
0810002500DG	16	25x1"	180 B - 10 P	2,71
0810003200BG	16	32x1/2"	120 B - 10 P	3,96
0810003200CG	16	32x3/4"	120 B - 10 P	3,34
0810003200DG	16	32x1"	120 B - 10 P	3,34
0810003200EG	16	32x1"1/4	100 B - 10 P	4,95
0810004000DG	16	40x1"	60 B	6,17
0810004000EG	16	40x1"1/4	60 B	6,17
0810004000FG	16	40x1"1/2	50 B	6,79
0810005000EG	16	50x1"1/4	35 B	8,78
0810005000FG	16	50x1"1/2	35 B	8,78
0810005000GG	16	50x2"	35 B	9,64
0810006300FG	16	63x1"1/2	24 B	12,47
0810006300GG	16	63x2"	24 B	12,47
0810006300IG	16	63x2"1/2	20 B	13,58
0810007500GG	10	75x2"	15 B	25,57
0810007500IG	10	75x2"1/2	15 B	25,57
0810007500LG	10	75x3"	12 B	27,05
0810009000GG	10	90x2"	8 B	33,10
0810009000IG	10	90x2"1/2	8 B	31,36
0810009000LG	10	90x3"	8 B	31,36
0810009000MG	10	90x4"	8 B	33,10
0810011000GG	10	110x2"	6 B	74,21
0810011000LG	10	110x3"	6 B	74,21
0810011000MG	10	110x4"	6 B	74,21

Stainless steel reinforcing ring from 1"½ to 4".

Manicotto ridotto

Reducing coupling
Manchon réduit
Manguito reducido



CODE: 08110	PN	Ø x Ø	PACK	€
08110025020G	16	25x20	120 B - 10 P	4,20
08110032020G	16	32x20	80 B - 10 P	5,85
08110032025G	16	32x25	80 B - 10 P	5,68
08110040025G	16	40x25	45 B	9,75
08110040032G	16	40x32	40 B	9,75
08110050032G	16	50x32	30 B	12,60
08110050040G	16	50x40	30 B	12,60
08110063032G	16	63x32	15 B	18,03
08110063040G	16	63x40	15 B	18,03
08110063050G	16	63x50	15 B	17,91
08110075050G	10	75x50	12 B	32,60
08110075063G	10	75x63	8 B	32,60
08110090063G	10	90x63	6 B	43,22
08110090075G	10	90x75	6 B	43,22
08110110063G	10	110x63	4 B	90,64
08110110075G	10	110x75	4 B	90,64
08110110090G	10	110x90	3 B	90,64

Raccordo flangiato

Flanged adaptor
Joint à bride
Enlace rebordeado



CODE: 08135	PN	Ø x D"	PACK	€
0813504000FG	16	40 x 1"1/2 (DN 40)	24 B	32,10
0813505000FG	16	50 x 1"1/2 (DN 40)	20 B	33,83
0813505000GG	16	50 x 2" (DN 50)	15 B	41,13
0813506300GG	16	63 x 2" (DN 50)	15 B	43,22
0813507500IG	10	75 x 2"1/2 (DN 65)	8 B	62,73
0813507500LG	10	75 x 3" (DN80)	8 B	70,14
0813509000LG	10	90 x 3" (DN 80)	5 B	77,43
0813509000MG	10	90 x 4" (DN100)	5 B	86,81
0813511000MG	10	110 x 4" (DN100)	3 B	97,43

Gomito a 90° filettato femmina

90° female elbow / Coude à 90° taraudé / Codo a 90° hembra



CODE: 08125	PN	Ø x Ø	PACK	€
0812502000BG	16	20x1/2"	200 B - 20 P	2,85
0812502000CG	16	20x3/4"	200 B - 20 P	2,85
0812502500BG	16	25x1/2"	150 B - 10 P	3,47
0812502500CG	16	25x3/4"	150 B - 10 P	3,47
0812502500DG	16	25x1"	130 B - 10 P	3,47
0812503200BG	16	32x1/2"	90 B - 10 P	4,12
0812503200CG	16	32x3/4"	90 B - 10 P	4,12
0812503200DG	16	32x1"	90 B - 10 P	4,12
0812503200EG	16	32x1"1/4	80 B - 10 P	6,43
0812504000DG	16	40x1"	45 B	9,39
0812504000EG	16	40x1"1/4	45 B	9,39
0812504000FG	16	40x1"1/2	40 B	10,26
0812505000EG	16	50x1"1/4	30 B	12,84
0812505000FG	16	50x1"1/2	30 B	12,60
0812505000GG	16	50x2"	25 B	13,58
0812506300FG	16	63x1"1/2	17 B	17,04
0812506300GG	16	63x2"	17 B	17,04
0812506300IG	16	63x2"1/2	15 B	18,41
0812507500IG	10	75x2"1/2	10 B	30,12
0812507500LG	10	75x3"	10 B	30,12
0812509000LG	10	90x3"	5 B	55,82
0812509000MG	10	90x4"	4 B	55,82
0812511000MG	10	110x4"	3 B	86,44

Stainless steel reinforcing ring from 1"1/2 to 4".

Gomito a muro

Wall plate elbow / Coude applique murale / Codo reforzado de pared



CODE: 08127	PN	Ø	PACK	€
0812702000BG	16	20x1/2"	200 B - 20 P	7,16
0812702500BG	16	25x1/2"	100 B - 10 P	8,78
0812702500CG	16	25x3/4"	100 B - 10 P	8,78
NEW 0812703200DG	16	32x1"	60 B - 10 P	13,83

Gomito a 90°

90° elbow / Coude à 90° / Codo a 90°



CODE: 08120	PN	Ø	PACK	€
08120020000G	16	20	120 B - 20 P	3,62
08120025000G	16	25	100 B - 10 P	4,39
08120032000G	16	32	60 B - 10 P	5,43
08120040000G	16	40	30 B	10,01
08120050000G	16	50	20 B	14,08
08120063000G	16	63	12 B	17,04
08120075000G	10	75	6 B	34,82
08120090000G	10	90	3 B	43,22
08120110000G	10	110	6 A	89,53

Gomito a 90° filettato maschio

90° male elbow / Coude à 90° fileté male / Codo a 90° macho



CODE: 08130	PN	Ø x Ø	PACK	€
0813002000BG	16	20x1/2"	200 B - 20 P	2,39
0813002000CG	16	20x3/4"	200 B - 20 P	2,64
0813002500BG	16	25x1/2"	150 B - 10 P	2,96
0813002500CG	16	25x3/4"	150 B - 10 P	2,96
0813002500DG	16	25x1"	130 B - 10 P	2,96
0813003200BG	16	32x1/2"	90 B - 10 P	4,44
0813003200CG	16	32x3/4"	90 B - 10 P	3,84
0813003200DG	16	32x1"	90 B - 10 P	3,84
0813003200EG	16	32x1"1/4	80 B - 10 P	4,69
0813004000DG	16	40x1"	45 B	6,55
0813004000EG	16	40x1"1/4	45 B	6,55
0813004000FG	16	40x1"1/2	40 B	7,05
0813005000EG	16	50x1"1/4	30 B	8,88
0813005000FG	16	50x1"1/2	30 B	8,88
0813005000GG	16	50x2"	25 B	9,64
0813006300FG	16	63x1"1/2	17 B	13,47
0813006300GG	16	63x2"	15 B	12,35
0813006300IG	16	63x2"1/2	15 B	13,47
0813007500IG	10	75x2"1/2	10 B	26,92
0813007500LG	10	75x3"	10 B	26,92
0813009000LG	10	90x3"	5 B	33,72
0813009000MG	10	90x4"	4 B	35,69
0813011000MG	10	110x4"	3 B	65,45

Gomito con filetto femmina laterale

Grass elbow / Coude avec sortie laterale taraudé / Codo con derivacion lateral hembra



CODE: 08128	PN	Ø	PACK	€
0812802500BG	16	25x1/2"	280 B - 10 P	5,23
0812803200BG	16	32x1/2"	200 B - 10 P	6,43
0812803200CG	16	32x3/4"	100 B - 10 P	6,43

Valvola Stop Cock

Compression stop cock valve
Robinet à soupape droite
Valvula de linea compression



CODE: 10010	PN	Ø	PACK	€
1001020000G	10	20	60	16,05
1001025000G	10	25	40	16,43
1001032000G	10	32	30	19,02

Raccordo femmina con ghiera folle

Swivel nut female adaptor
Raccord taraudé avec écrou libre
Empalme hembra con tuerca libre



CODE: 08101	PN	Ø x D"	PACK	€
0810102500DG	16	25 x 1"	160 B - 10 P	4,24
0810103200DG	16	32 x 1"	110 B - 10 P	4,69

Ghiera

Nut / Ecrou / Tuerca



CODE: 78000	Ø	€
780001020G	20	0,87
780001025G	25	0,99
780001032G	32	1,37
780001040G	40	2,47
780001050G	50	3,10
780001063G	63	5,06
780001075G	75	9,64
780001090G	90	23,71
780001110G	110	31,25

Anello di graffaggio

Grip ring / Bague d'agrafage
Cono de fijación



CODE: 77200	Ø	€
772002020	20	0,75
772002025	25	0,87
772002032	32	1,12
772002040	40	1,73
772002050	50	2,85
772002063	63	4,33
772002075	75	6,30
772002090	90	8,27
772002110	110	11,99

Smussatore tubi

Chamfering device
Dispositif de chanfreinage
Dispositivo de biselado



CODE: 9210-9212	Ø	PACK	€
9210063020A	20...63	1	52,86
9210110075A	75...110	1	96,19
9212250040A	40...250	1	480,71

Chiave per raccordi

Wrench for fittings / Clé de serrage pour les raccords
Llave para los accesorios



CODE: 9198	Ø	PACK	€
91982016040A	16...40	(AL)	48,04
91982040063A	40...63	(AL)	84,96
91982075110A	75...110	(AL)	118,91

Anello con battuta

Spacer ring / Douille de poussée /
Casquillo prensa O-Ring



CODE: 7700	Ø	€
770003020Q	20	0,62
770003025Q	25	0,62
770003032Q	32	0,99
770003040Q	40	1,37
770003050Q	50	2,23
770003063Q	63	3,47
770003075Q	75	4,95
770003090Q	90	6,67
770003110Q	110	9,51

O-ring NBR



CODE: 721	Ø	€
721020	20	0,62
721025	25	0,99
721032	32	1,12
721040	40	1,73
721050	50	1,86
721063	63	2,85
721075	75	3,47
721090	90	4,95
721110	110	6,17

Rotolo nastro teflon

Teflon coil / Bobine de teflon / Rollo de teflon



CODE: 9880	h x l	PACK	€
9880012010	12 mm x 10 m	200 C	2,10
9880019025	19 mm x 25 m	100 C	6,92
9880019050	19 mm x 50 m	50 C	11,60

PURCHASE RULES – REGOLE DI ACQUISTO:

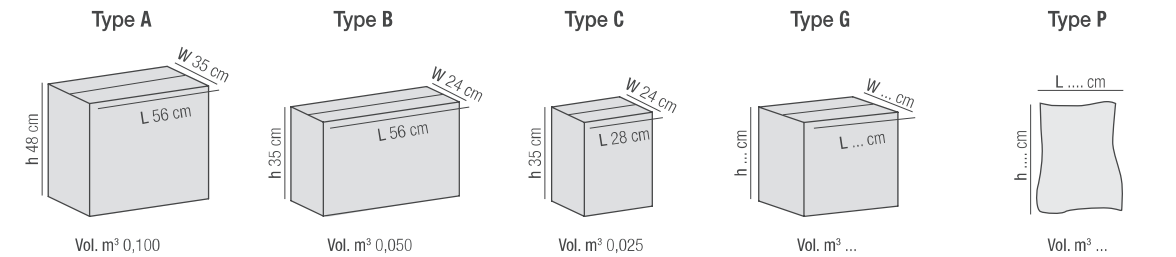
PURCHASE MINIMUM Q.TY = 1 BOX or MULTIPLE BOX (for each fitting type/size)

UNITA' MINIMA DI ACQUISTO = 1 SCATOLA o MULTIPLI DI SCATOLE (per ogni articoli/misura)

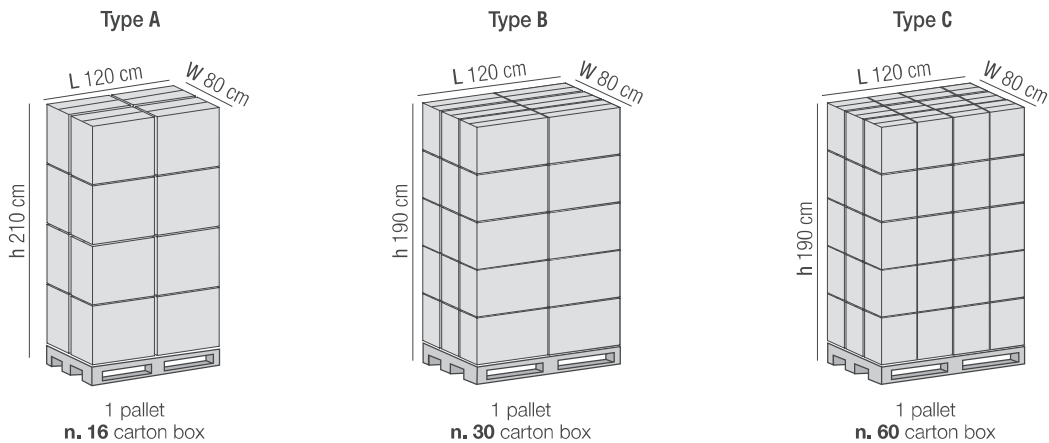
PACKAGING - IMBALLAGGI

SCATOLA
CARTON BOX

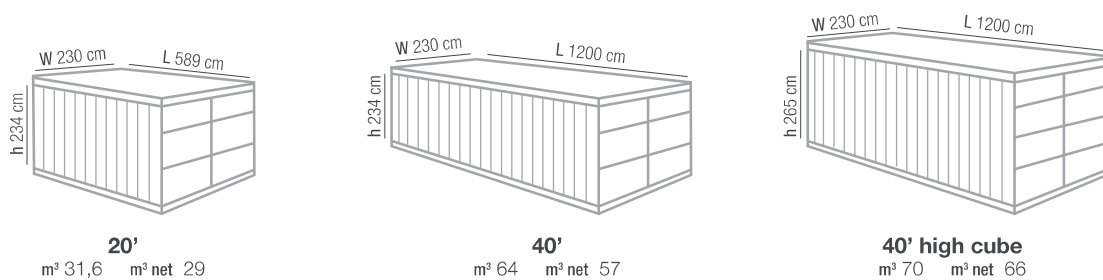
SACCHETTO
PLASTIC BAG



CARTONI SU PALLET
BOXES ON PALLET



CONTAINER



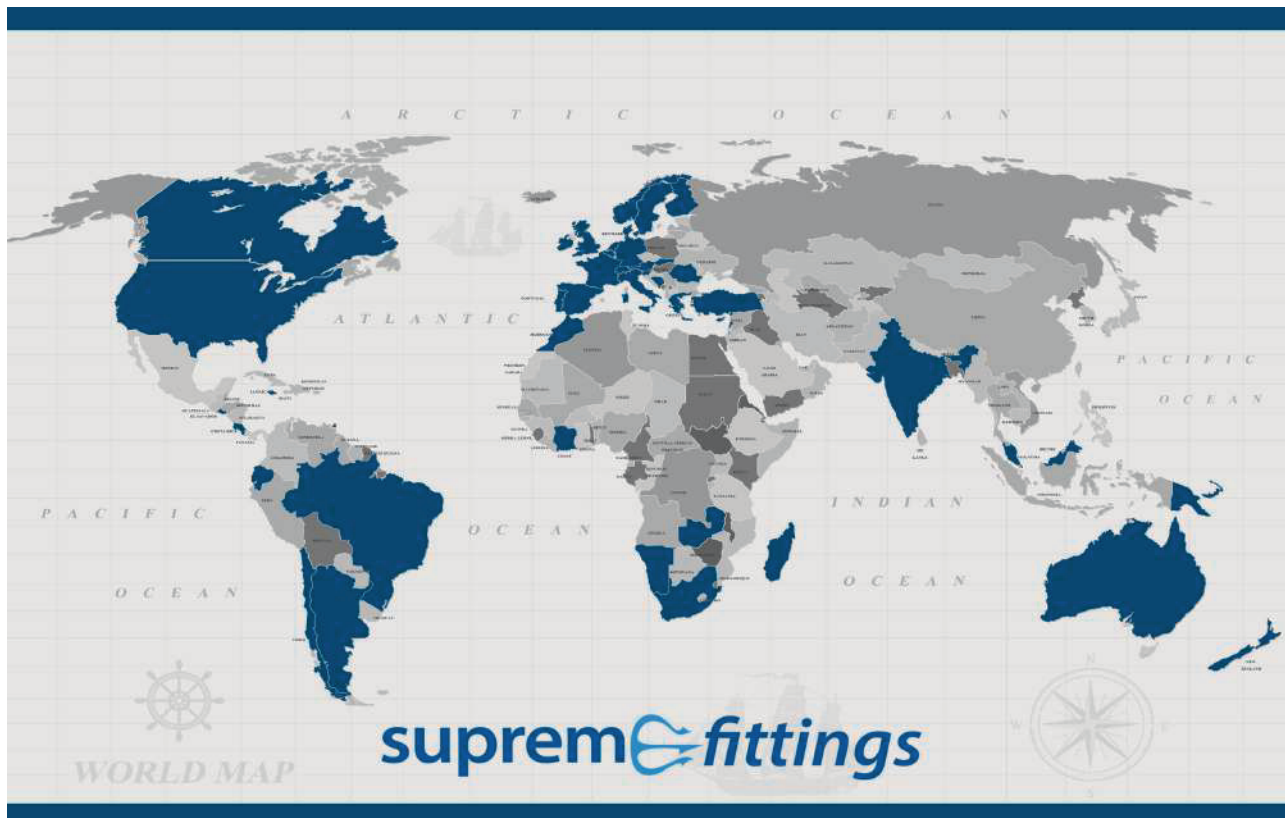
Cartoni caricabili sfusi / Quantity of loose boxes to fill up

Type A n. 290
Type B n. 580

Type A n. 580
Type B n. 1140

Type A n. 670
Type B n. 1340

SUPREME PRESENCE IN THE WORLD



Quapus sa Srl

Sales & Marketing

Via F.lli Bandiera, 4
40055, VILLANOVA DI CASTENASO - BO - ITALY
Tel./fax. +39 051 6053557

Giancarlo Costa: sales@supreme-systems.net

Marcello Vannini: marcello@supreme-systems.net

Giovanni Costa: giovanni@supreme-systems.net

Logistics & Customer Service

PratoVerde srl Via San Pelagio 2
35020 DUE CARRARE - PD - ITALY
Tel. +39 049 9128128
Fax. +39 049 9128129

www.supremefittings.com
info@supremefittings.com